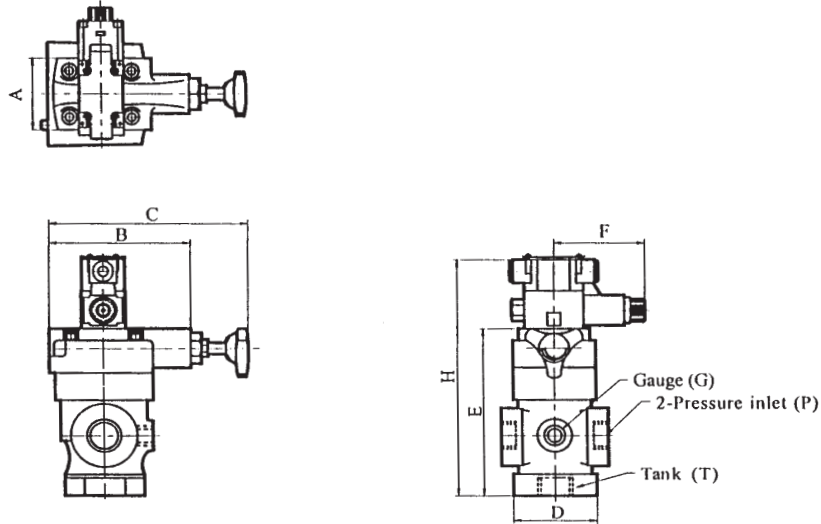


PRESSURE CONTROL VALVES

SOLENOID CONTROLLED RELIEF VALVES

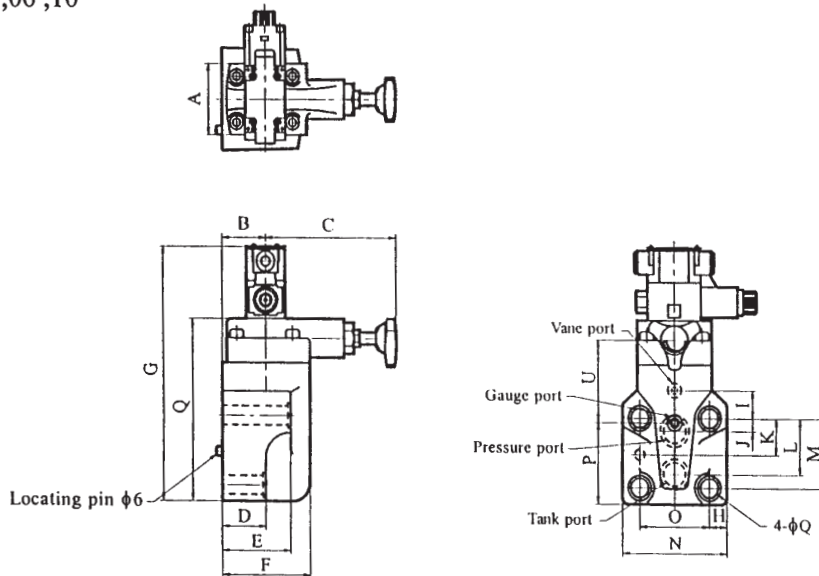
BS Series valve is the combination of solenoid valve and relief valve .Use in hydraulic system to limit system pressure and unloading pressure by solenoid valve, can offer two or more different pressure in system.

BST - 06 ,10



Model	A mm	B mm	C mm	D mm	E mm	F mm	H mm	Port size
BST-06	77	105	165	100	141	105	230	3/4"
BST-10	88			130	172		261	1 1/4"

BSG - 03 ,06 ,10



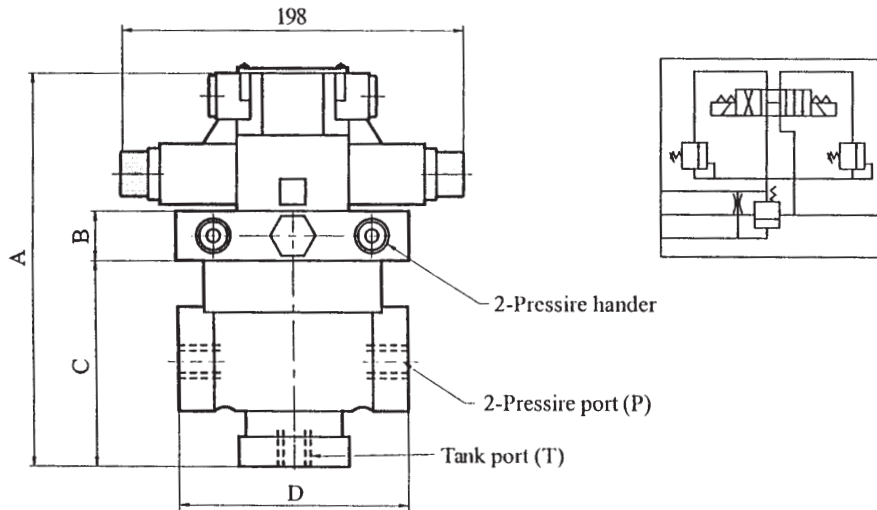
Model	A mm	B mm	C mm	D mm	E mm	F mm	G mm	H mm	I mm	J mm	K mm	L mm	M mm	N mm	O mm	P mm	Q mm	R mm	U mm
BSG-03	77	40.0	126.5	58	78	78	229.0	14.5	0	22.0	22.0	47.4	53.8	83.0	53.8	56.0	140.0	105.0	63.3
BSG-06	77	40.5	126.5	41	61	78	256.5	17.0	23.8	11.0	33.4	55.5	66.7	104.0	70.0	83.5	167.5	105.0	63.3
BSG-10	88	45.0	121.0	49	69	84	287.0	21.7	31.8	12.7	44.5	76.2	88.9	126.0	82.6	104.0	198.0	105.0	72.0

PRESSURE CONTROL VALVES

SOLENOID CONTROLLED RELIEF VALVES

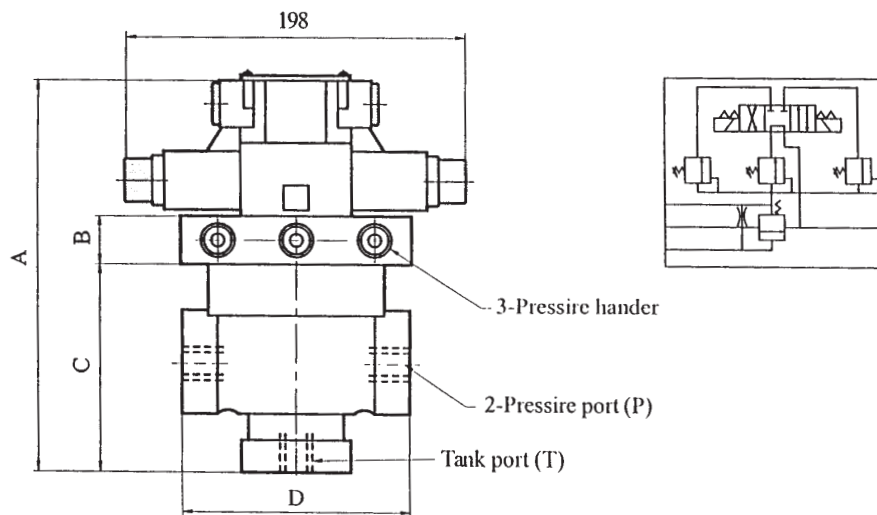
BS Series valve is the combination of solenoid valve and relief valve .Use in hydraulic system to limit system pressure and unloading pressure by solenoid valve, can offer two or more different pressure in system.

BST - 06 - 2P



Model	A mm	B mm	C mm	D mm	F mm
BST-06-2P	222	96	38	100	3/4"

BST - 06 - 3P

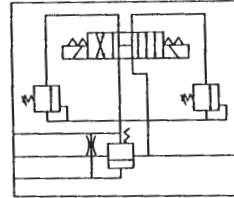
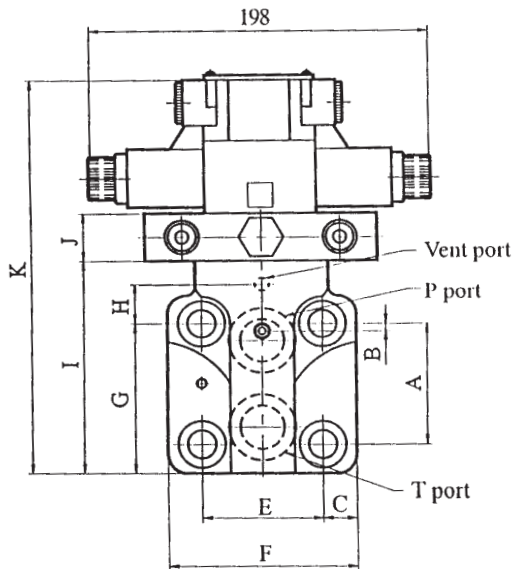


Model	A mm	B mm	C mm	D mm	F mm
BST-06-3P	222	96	38	100	3/4"

PRESSURE CONTROL VALVES

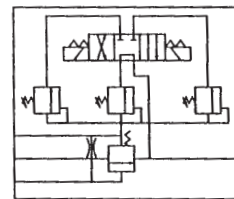
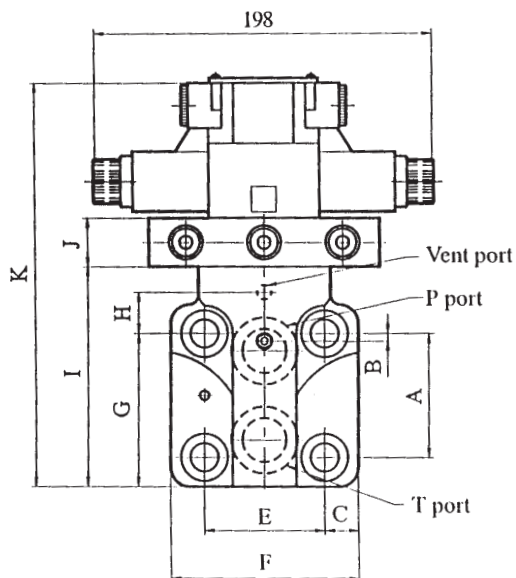
SOLENOID CONTROLLED RELIEF VALVES

BSG - ** - 2P



Model	A mm	B mm	C mm	E mm	F mm	G mm	H mm	I mm	J mm	K mm
BSG-03-2P	53.8	22	14.5	53.8	83	77.5	0	95.0	38	222.0
BSG-06-2P	66.7	11	17.0	70.0	104	86.0	23.8	122.5		249.5

BSG - ** - 3P



Model	A mm	B mm	C mm	E mm	F mm	G mm	H mm	I mm	J mm	K mm
BSG-03-3P	53.8	22	14.5	53.8	83	77.5	0	95.0	38	222.0
BSG-06-3P	66.7	11	17.0	70.0	104	86.0	23.8	122.5		249.5