

電磁閥

SOLENOID VALVE

疊加閥

MODULAR VALVE

**REXPOWER
2021**

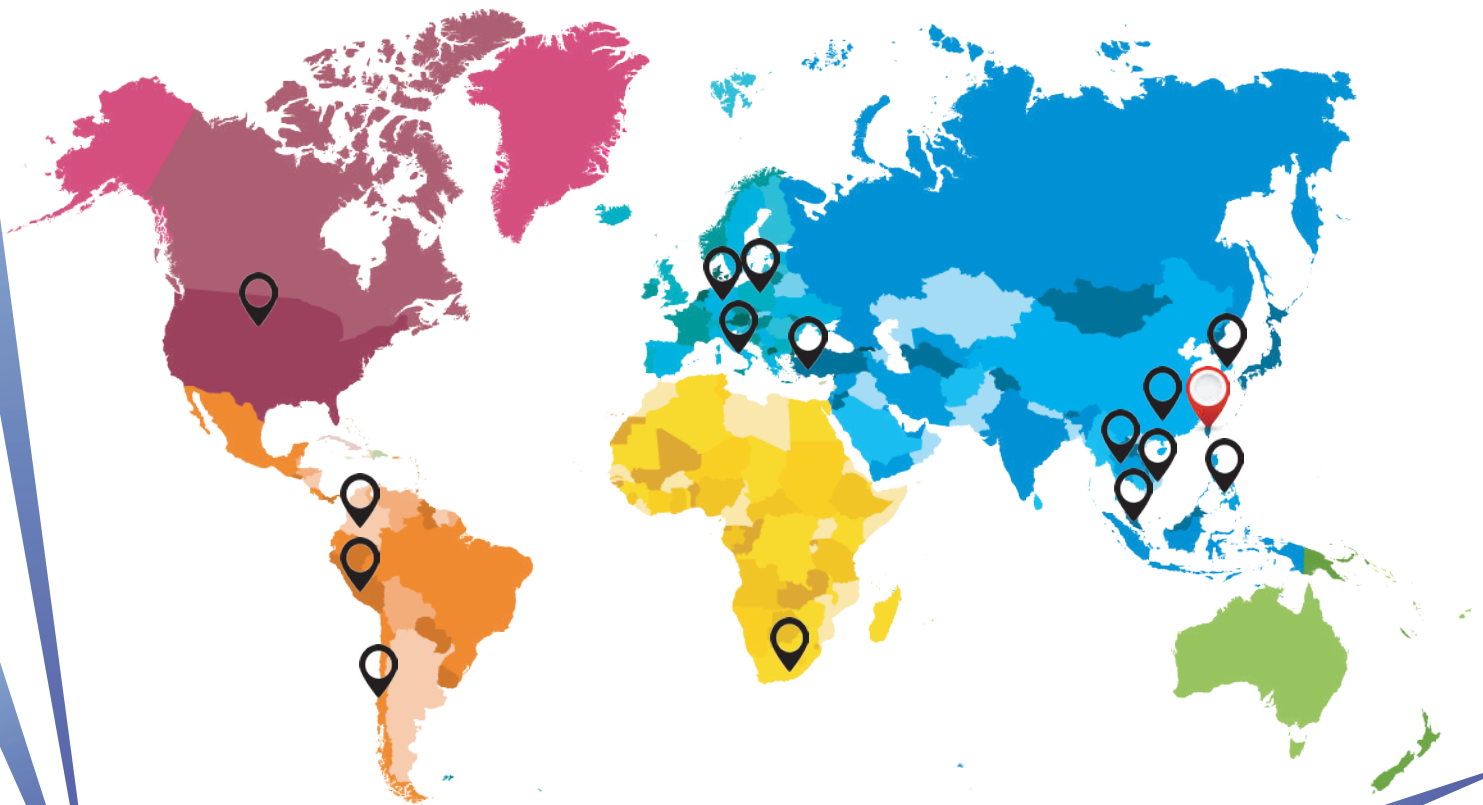


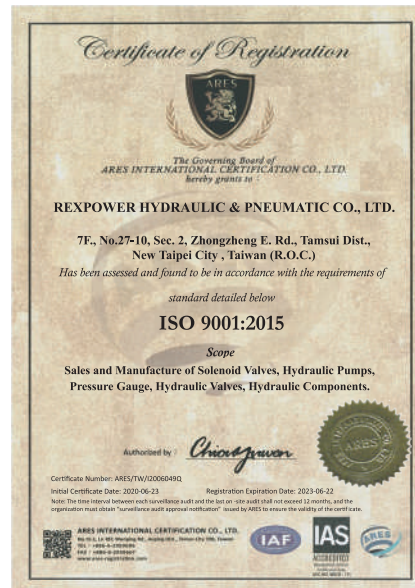
PROFILE

Rexpower has been is one of the suppliers in high-quality hydraulic components for over 40 years. Our product including directional valve, pressure control valve, flow control valve, cartridge valve, Hydraulic pump, and hydraulic accessory.

Rexpower Co., Ltd. was certified to ISO 9001 Quality Management System, and CE marking for our products. We keep supplying the high-quality services and products without any question. We offer worldwide customers with reliable and competitive solenoid valves, modular valves and so on.

In 1987, we started producing our own Hydraulic Solenoid Valves with the brand name "REXPOWER", kicking off our overseas marketing program. Our products are mainly marketed worldwide. In order to further enhance better after sales service and stock supplies, the following REXPOWER World Net will continue to increase.





#Contents

#Solenoid Valves

★ 1

閥芯代號
Spool Code



SHD-02系列電磁換向閥
SHD-02G Solenoid Operated Directional Valves

1

9

SHD-03系列電磁換向閥
SHD-03G Solenoid Operated Directional Valves



DSG-01-★ 高壓大流量系列電磁換向閥
DSG-01-★ High Pressure Big Flow Series

17

24

4WE 系列電磁換向閥
4WE Series



底板
02 / 03 / 04 / 06 Series Subplate

30

#Modular Valves

31

疊加型溢流閥

Modular Relief Valves : MBP



疊加型減壓閥

Modular Reducing Valves : MRP

32

33

疊加型流量閥

Modular Throttle & Check Valves : MSA



疊加型液控單向閥

Modular Pilot Operated Check Valves : MPA

34

35

疊加型溢流閥

Modular Relief Valves : MRV



疊加型減壓閥

Modular Reducing Valves : MGV

36

37

疊加型節流閥

Modular Throttle Valves : MTV



疊加型流量閥

Modular Throttle and Check Valves : MTC

38

39

疊加型單向閥

Modular Check Valves : MCV



疊加型液控單向閥

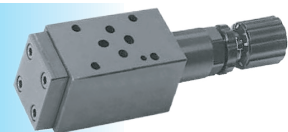
Modular Pilot Operated Check Valves : MPC

40

41

疊加型抗衡閥

Modular Counterbalance Valves : MCB








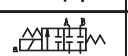






油路板
MANIFOLD

42

閥芯代號

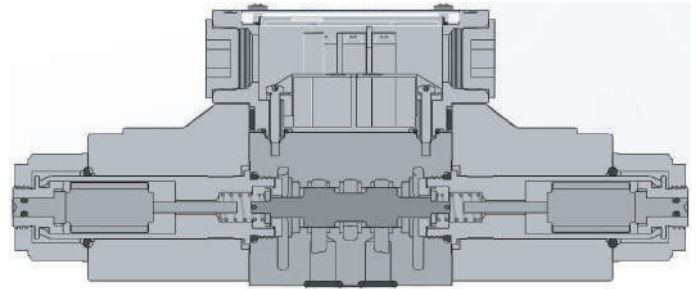
Spool Code

雙電磁鐵 Double Solenoid				單電磁鐵 Single Solenoid				單電磁鐵 Single Solenoid			
三位彈簧中位 3 Positions Spring Centred				二位彈簧復位 2 Positions Spring Offset				二位彈簧復位 (反裝) 2 Positions Spring Offset (Inverted)			
符號 Symbol	磊興 REXPOWER	力士樂 REXROTH	威格士 VICKERS	符號 Symbol	磊興 REXPOWER	力士樂 REXROTH	威格士 VICKERS	符號 Symbol	磊興 REXPOWER	力士樂 REXROTH	威格士 VICKERS
	3C2	E	2C		2B2	D	2A		2B2S	Y	2AL
	3C3	H	0C		2B3	C	0A		2B3S	-	0AL
	3C4	J	6C		2B8	A	22A		2B8S	B	22AL
	3C40	W	33C		2B2B	EA	2B		2B2BS	EB	2BL
	3C5	F	-		2B3B	HA	0B		2B3BS	HB	0BL
	3C60	G	8C		2B4B	JA	6B		2B4BS	JB	6BL
	3C7	-	-		2B40B	WA	33B		2B40BS	WB	33BL
	3C8	-	22C		2B5B	FA	-		2B5BS	FB	-
	3C9	M	7C		2B60B	GA	8B		2B60BS	GB	8BL
	3C10	U	31C		2B7B	-	-		2B7BS	-	-
	3C11	-	-		2B8B	-	22B		2B8BS	-	22BL
	3C12	L	3C		2B9B	MA	7B		2B9BS	MB	7BL
二位鋼珠定位 2 Positions Detented					2B10B	UA	31B		2B10BS	UB	31BL
符號 Symbol	磊興 REXPOWER	力士樂 REXROTH	威格士 VICKERS		2B11B	-	-		2B11BS	-	-
	2D2	D/OF	2N		2B12B	LA	-		2B12BS	LB	-
	2D3	C/OF	0N		2B2A	-	2F		2B2AS	-	2FL
	2D8	A/OF	-		2B3A	-	0F		2B3AS	-	0FL

SHD-02G 系列電磁換向閥

SHD-02G Solenoid Operated Directional Valves

- 最高壓力：31.5 Mpa
- 最大流量：63 L/min
- 最高背壓：14 Mpa
- 高壓、大流量、低壓損
- 濕式電磁閥設計，聲音小、切換快、壽命長
- IP65 防水防塵等級；德馳線圈可達到IP67 防水防塵等級
- 提供多種接線方式：接線盒、插頭、德馳插頭及出線形式
- 供應無衝擊型電磁閥：使用緩衝型磁管及線圈(DC或RF均可)及特殊閥芯設計以降低切換聲音
- 除了標準磷化本體，另外供應鍍鎳本體可供戶外使用
- 產品均通過CE認證



- Max. Operating Pressure: 31.5 Mpa
- Max. Flow: 63 L/min
- Max. T Line Back Pressure: 14 Mpa
- High pressure and high flow rating provide low pressure drop performance.
- All spools and bodies are interchangeable.
- Wet armature solenoid provides low noise, leakage free and longer life.
- IP65-equivalent high dust and water-proof characteristics. Deutsch Type can provide IP67- equivalent.
- Various connecting types: Terminal Box, DIN Plug-in, Deutsch Connector and Lead Wire type.
- Shockless type greatly reduces noise of spool changeover.
- Providing phosphated valve body (standard) and nickel-plated valve body for outdoor use.
- CE certified



規格

Specifications

系列 Series	型號 Model Numbers	最大流量 Max. Flow (L/min)	最大壓力 Max. Operating Pressure (Mpa)	最大背壓 Max. T-Line Back Pressure (Mpa)	最高切換頻率 Max. Frequency (Cycles/Min)	重量 Weight (Kg)	
						AC	DC
標準型 Standard Type	SHD-02G -3C* - * -33/3390	63	31.5 (Spool Code 60 Only 25)	14	300 (R Type Sol. Only 120)	2.0	2.2
	SHD-02G -2D2-* -33/3390					1.6	
	SHD-02G -2B* - * -33/3390					1.6	
緩衝型 Shockless Type	SHDC-02G -3C* - * -33/3390	40	16		120	2.0	2.2
	SHDC-02G -2B* - * -33/3390					1.6	

性能表

Solenoid Ratings

系列 Series	電源 Power	線圈 Coil	電壓 Voltage	頻率(HZ) Hertz	啟動電流(A) In-Rush Current	保持電流(A) Holding Current	功率(W) Power
標準型 Standard Type	AC	A10	100	50	2.14	0.40	-
			110	60	2.35	0.44	
		A11	110	50	2.20	0.46	
			120	60	2.40	0.50	
		A20	200	50	1.07	0.20	
			220	60	1.18	0.22	
		A22	220	50	1.10	0.23	
			240	60	1.20	0.25	
		A24	240	50	1.05	0.21	
		緩衝型 Shockless Type	DC	D12	12	-	
D24	24			-	-	0.61	29.00
AC→DC (RF)	R11		110	50/60	-	0.34	32.80
	R22		220			0.17	34.00

電磁鐵、線圈組件表

Coil and Ass'y No.

型號 Model Numbers	線圈組件號 Coil No.	電氣接線形式 Electrical Conduit Connection	備註 Remark
SHD-02G - * * * -A10	02-A10	Single: 02-AC-1 Double: 02-AC-2	接線盒型 Terminal Box
SHD-02G - * * * -A11	02-A11		
SHD-02G - * * * -A20	02-A20		
SHD-02G - * * * -A22	02-A22		
SHD-02G - * * * -A24	02-A24		
SHD-02G - * * * -D12	02-D12	Single: 02-DC-1 Double: 02-DC-2	DIN插頭型 Plug-in Connector with lamp
SHD-02G - * * * -D24	02-D24		
SHD-02G - * * * -R11	02-R11	Single: 02-RF-1 Double: 02-RF-2	
SHD-02G - * * * -R22	02-R22		
SHD-02G - * * * -A10D	02-A10D	AC PLUG	
SHD-02G - * * * -A11D	02-A11D		
SHD-02G - * * * -A20D	02-A20D		
SHD-02G - * * * -A22D	02-A22D		
SHD-02G - * * * -A24D	02-A24D		
SHD-02G - * * * -D12D	02-D12D	DC PLUG	
SHD-02G - * * * -D24D	02-D24D		
SHD-02G - * * * -R11D	02-R11D	RF PLUG	
SHD-02G - * * * -R22D	02-R22D		
SHD-02G - * * * -D12U	02-D12U	-	德馳型 Deutsch
SHD-02G - * * * -D24U	02-D24U		
SHD-02G - * * * -D12L	02-D12L	-	出線型 Lead Wire
SHD-02G - * * * -D24L	02-D24L		

型號說明

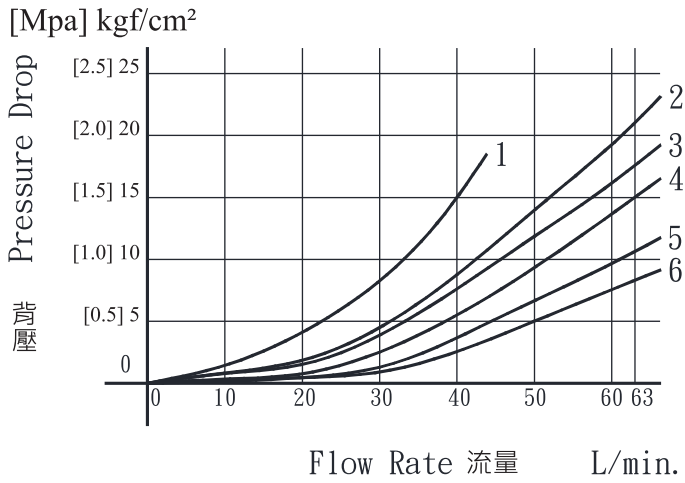
How to order

SHD	C	-02G	-2	B	2*	-D24	D	-NP	-33	90
系列號 Series No.		規格 Valve Size	閥位數 Number of Valve Positions	閥芯彈簧 Spool- Spring Arrangement	閥芯代號 Spool Code	線圈類型 Coil Type	電氣接線 Electrical Conduit Connection	閥體 Body	設計號 Design Number	設計標準 Design Standard
SHD:電磁 換向閥 Solenoid Operated Directional Valve	無記號Omit: 標準型 Standard Type	02G	3: Three Positions	C: 彈簧中位 Spring Centred	★1	交流 AC: A10 A11 A20 A22 A24 直流 DC: D12, D24 交流 R: (直流整流) (AC→DC) R11, R22	無標記 Omit: 接線盒式 Terminal Box Type D: DIN 插頭 型 Plug-in Connector Type U: 德馳型 Deutsch Type L: 出線型 Lead Wire Type	無標記 Omit: 標準型 Standard -NP:鍍鎳 Nickel Plated	-33 -11	OMIT: JIS 90: ANSI
			2: Two Positions	D: 無彈簧定位 No-Spring Detented						
	3: Three Positions		C: 彈簧中位 Spring Centred							
	2: Two Positions		B: 彈簧復位 Spring Offset Spring Centred							
	C: 緩衝型 Shockless Type									

★1: 閥芯形式之詳情請參考附件: 閥芯代號。
For more detail, please see reference ★1: Spool Code.

性能曲線圖

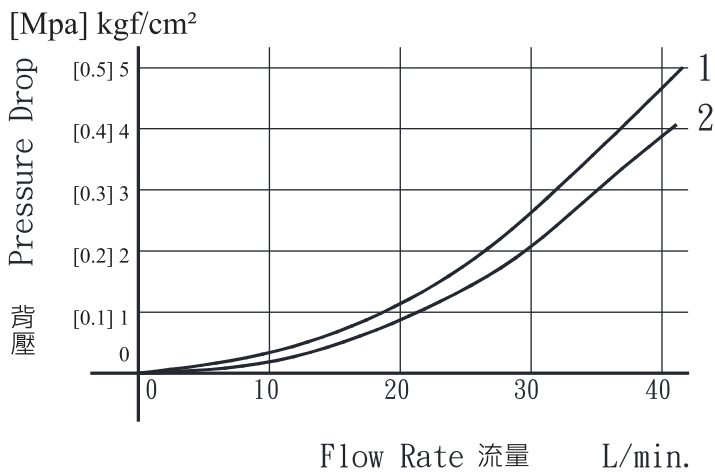
Characteristic Curves



標準型

Standard Type: SHD-02G

型號 Model Numbers	曲線代號 Pressure Drop Curve Number				
	P to A	B to T	P to B	A to T	P to T
SHD-02G -3C2	5	5	5	5	-
SHD-02G -3C3	6	6	6	6	4
SHD-02G -3C4	5	6	5	6	-
SHD-02G -3C40	5	5	5	5	-
SHD-02G -3C5	1	1	1	1	4
SHD-02G -3C60	1	1	1	1	4
SHD-02G -3C7	5	5	5	5	-
SHD-02G -3C8	5	-	5	6	-
SHD-02G -3C9	6	5	5	6	-
SHD-02G -3C10	5	6	5	5	-
SHD-02G -3C11	6	5	5	5	-
SHD-02G -3C12	5	5	5	6	-
SHD-02G -2D2	5	2	5	2	-
SHD-02G -2D3	5	3	5	3	-
SHD-02G -2D7	5	3	5	3	-
SHD-02G -2D8	5	-	5	-	-
SHD-02G -2B2	2	-	5	5	-
SHD-02G -2B3	3	-	5	6	-
SHD-02G -2B8	5	-	5	-	-



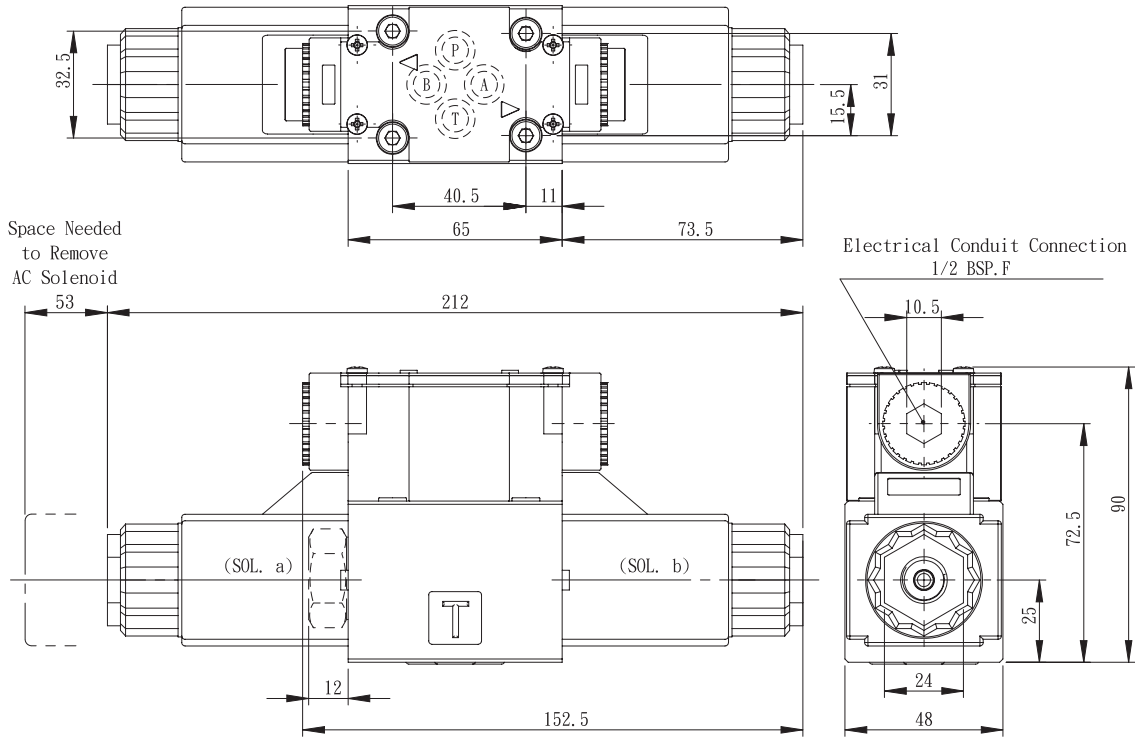
緩衝型

Shockless Type: SHDC-02G

型號 Model Numbers	曲線代號 Pressure Drop Curve Number			
	P to A	B to T	P to B	A to T
SHDC-02G -3C2	1	1	1	1
SHDC-02G -3C4	1	2	1	2
SHDC-02G -3C40	1	2	1	1
SHDC-02G -2B2	1	1	1	1

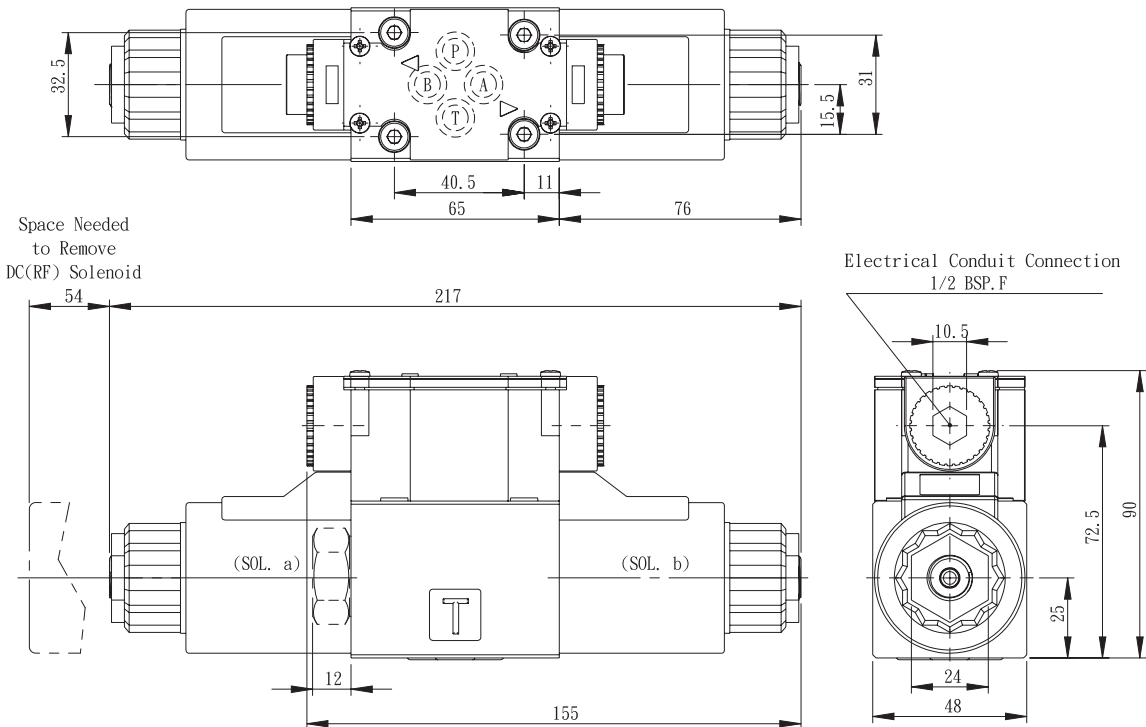
接線盒型-交流

Terminal Box Type- AC



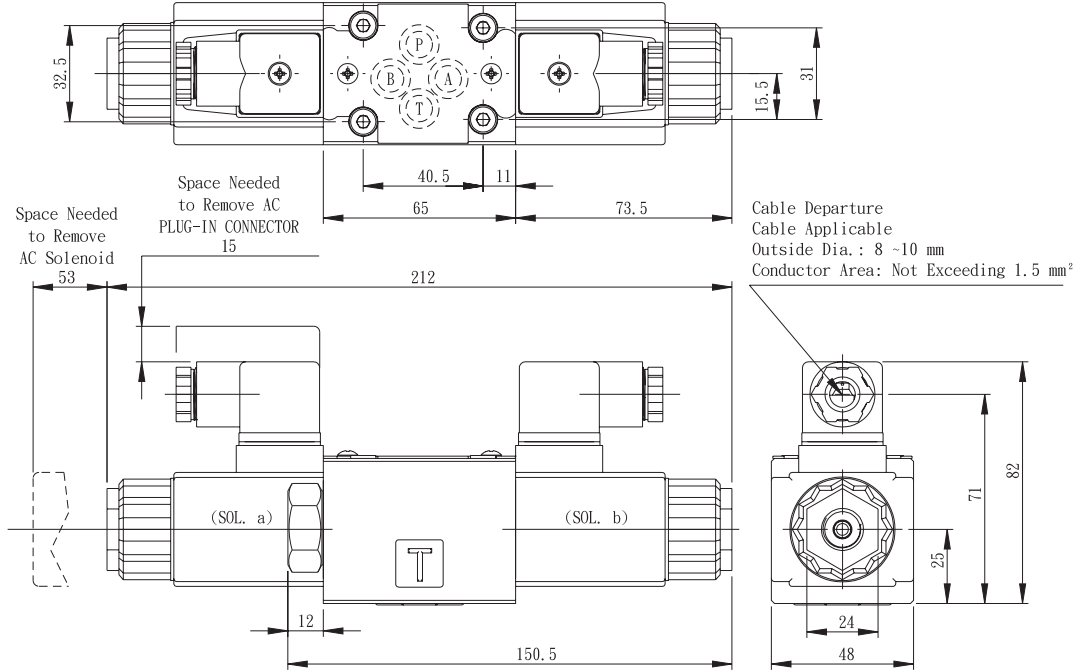
接線盒型-直流

Terminal Box Type- DC



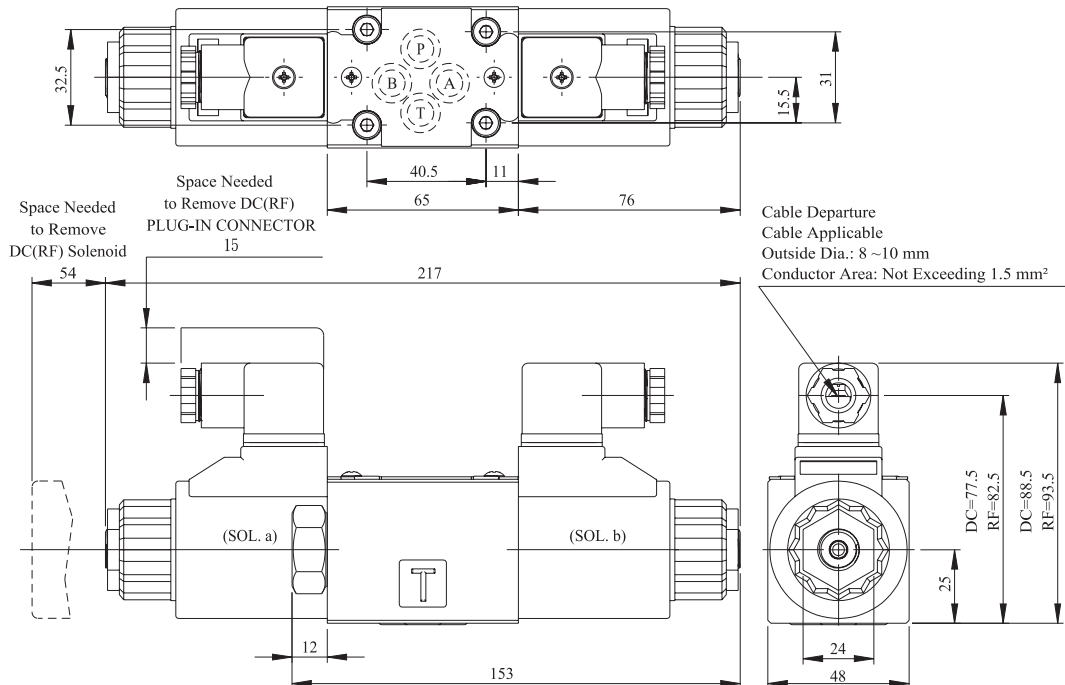
DIN插頭型-交流

Plug-in Type-AC



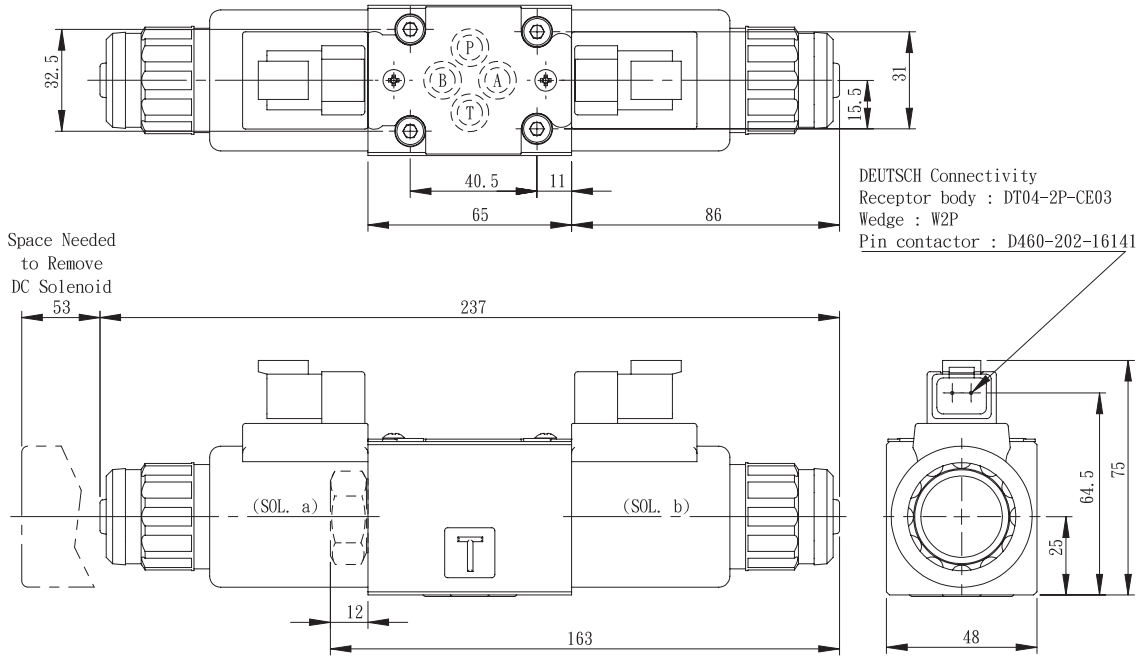
DIN插頭型-直流

Plug-in Type-DC



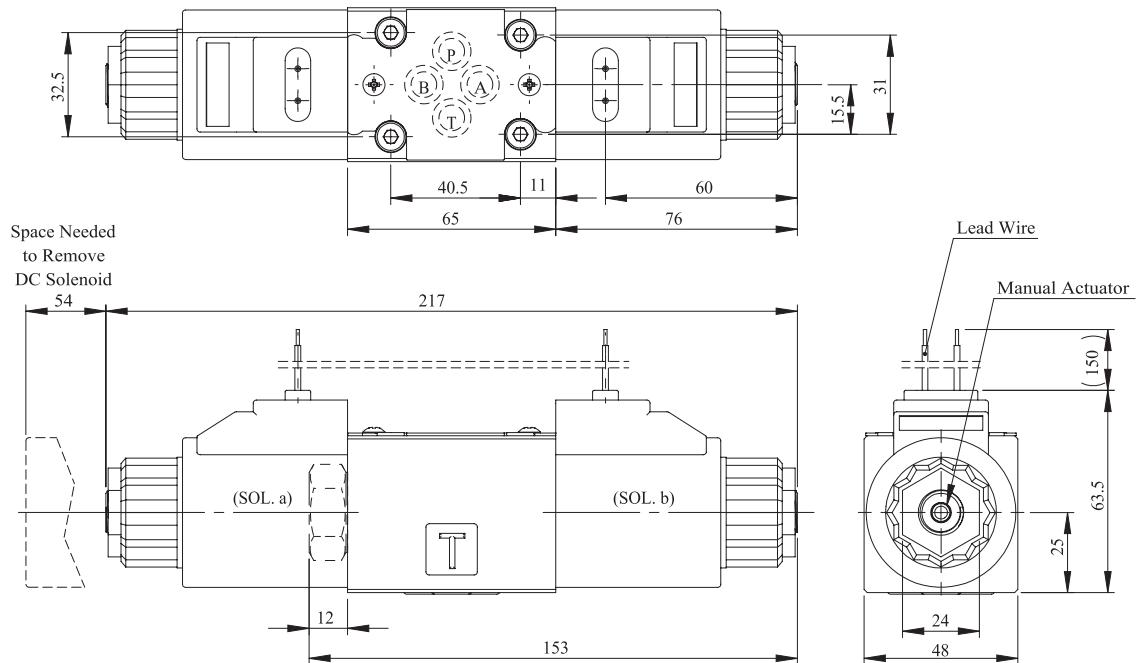
德馳型

Deutsch Type



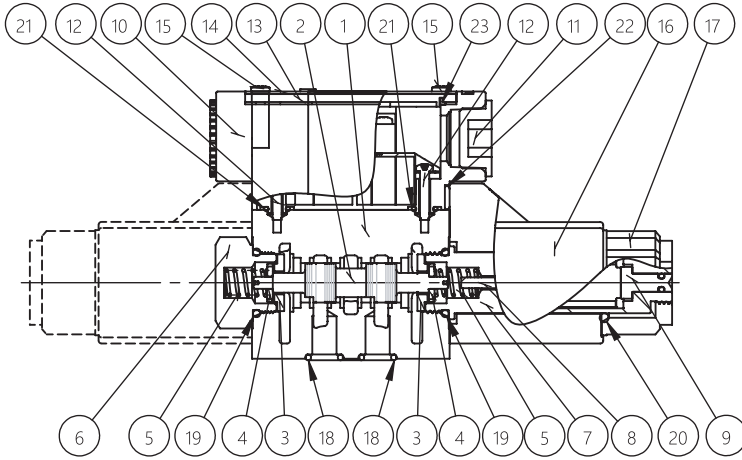
出線型

Lead Wire Type



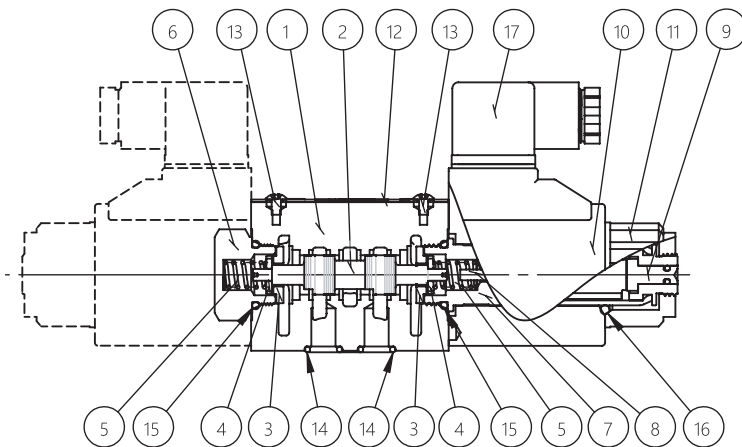
零件表

List of Seal



接線盒型
Terminal Box Type

Item	Name of Part
18	O-Ring P9(NBR90°)
19	O-Ring P18(NBR70°)
20	O-Ring 20*3(NBR70°)
21	O-Ring S6(NBR70°)
22	O-Ring P4(NBR70°)
23	Sealing Gasket

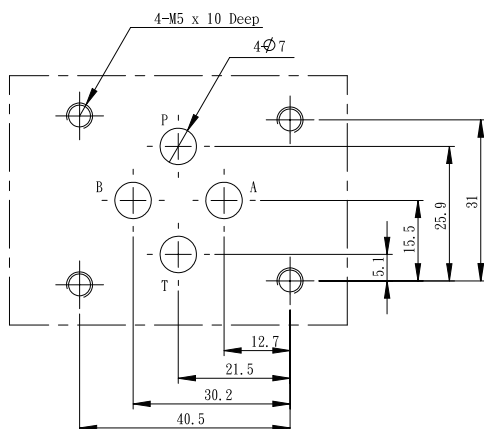


DIN插頭型
Plug-in Connector

Item	Name of Part
14	O-Ring P9(NBR90°)
15	O-Ring P18(NBR70°)
16	O-Ring 20*3(NBR70°)
17	DIN Plug

安裝面標準

Mounting surface: ISO 4401-AB-03-4-A-80

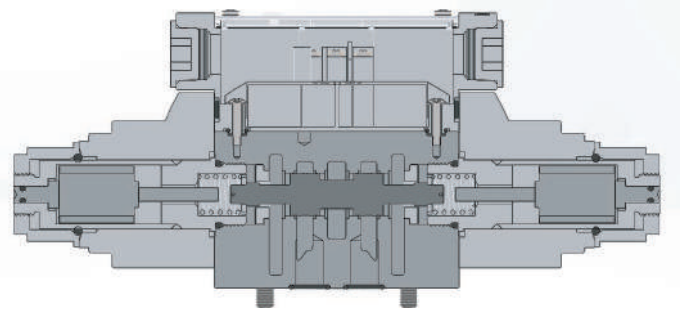


規格 Descriptions	安裝螺絲號 Soc. Hd. Cap Screw (4pcs)	安裝螺釘扭緊扭矩 Tightening Torque
Japanese Standard "JIS" European Standard	M5×45 Lg.	5-7 Nm (43 - 60 in. lbs.)
N. American Standard	No. 10-24 UNC × 1-3/4 Lg.	

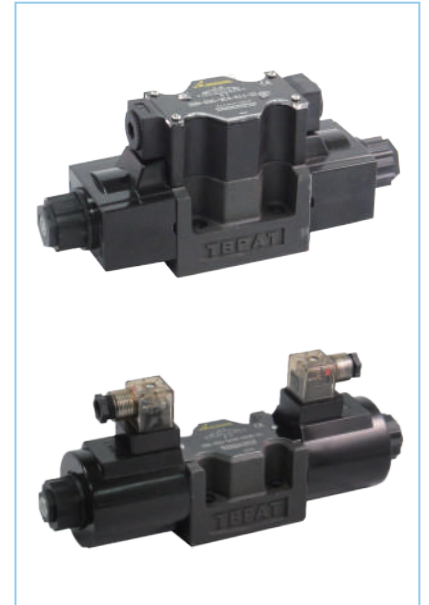
SHD-03G 系列電磁換向閥

SHD-03G Solenoid Operated Directional Valves

- 最高壓力: 31.5 Mpa
- 最大流量: 120 L/min
- 最高背壓: 14 Mpa
- 高壓、大流量、低壓損
- 濕式電磁閥設計, 聲音小、切換快、壽命長
- IP65 防水防塵等級; 德馳線圈可達到IP67 防水防塵等級
- 提供多種接線方式: 接線盒、插頭、德馳插頭及出線形式
- 供應無衝擊型電磁閥: 使用緩衝型磁管及線圈(DC或RF均可)及特殊閥芯設計以降低切換聲音
- 除了標準磷化本體, 另外供應鍍鎳本體可供戶外使用
- 產品均通過CE認證



- Max. Operating Pressure: 31.5 Mpa
- Max. Flow: 120 L/min
- Max. T Line Back Pressure: 14 Mpa
- High pressure and high flow rating provide low pressure drop performance.
- All spools and bodies are interchangeable.
- Wet armature solenoid provides low noise, leakage free and longer life.
- IP65-equivalent high dust and water-proof characteristics. Deutsch Type can provide IP67- equivalent.
- Various connecting types: Terminal Box, DIN Plug-in, Deutsch Connector and Lead Wire type.
- Providing phosphated valve body (standard) and nickel-plated valve body for outdoor use.
- Shockless type greatly reduces noise of spool changeover.
- CE certified.



規格

Specifications

系列 Series	型號 Model Numbers	最大流量 Max. Flow (L/min)	最大壓力 Max. Operating Pressure (Mpa)	最大背壓 Max. T-Line Back Pressure (Mpa)	最高切換頻率 Max. Frequency (Cycles/Min)	重量 Weight (Kg)	
						AC	DC
標準型 Standard Type	SHD-03G -3C * - * -33/3390	120	31.5 (Spool Code 60 Only 25)	14	240 (R Type Sol. Only 120)	4.0	5.2
	SHD-03G -2D2- * -33/3390					3.0	3.6
	SHD-03G -2B * - * -33/3390					4.0	5.2
緩衝型 Shockless Type	SHDC-03G -3C * - * -33/3390	120	25		120	4.0	5.2
	SHDC-03G -2B * - * -33/3390					3.0	3.6

性能表

Solenoid Ratings

系列 Series	電源 Power	線圈 Coil	電壓 Voltage	頻率(HZ) Hertz	啟動電流(A) In-Rush Current	保持電流(A) Holding Current	功率(W) Power
標準型 Standard Type	AC	A10	100	50	4.91	0.70	-
			110	60	5.40	0.77	
		A11	110	50	5.20	0.74	
			120	60	5.67	0.81	
		A20	200	50	2.45	0.35	
			220	60	2.70	0.39	
		A22	220	50	2.60	0.37	
			240	60	2.84	0.40	
A24	240	50	2.40	0.34			
緩衝型 Shockless Type	DC	D12	12	-	-	3.08	37.00
		D24	24	-	-	1.60	38.00
	AC→DC (RF)	R11	110	50/60	-	0.39	38.00
		R22	220			0.19	37.00

電磁鐵、線圈組件表

Coil and Ass'y No.

型號 Model Numbers	線圈組件號 Coil No.	電氣接線形式 Electrical Conduit Connection	備註 Remark
SHD-03G - * * * -A10	03-A10	Single: 03-AC-1 Double: 03-AC-2	接線盒型 Terminal Box
SHD-03G - * * * -A11	03-A11		
SHD-03G - * * * -A20	03-A20		
SHD-03G - * * * -A22	03-A22		
SHD-03G - * * * -A24	03-A24		
SHD-03G - * * * -D12	03-D12	Single: 03-DC-1 Double: 03-DC-2	DIN插頭型 Plug-in Connector with lamp
SHD-03G - * * * -D24	03-D24		
SHD-03G - * * * -R11	03-R11	Single: 03-RF-1 Double: 03-RF-2	
SHD-03G - * * * -R22	03-R22		
SHD-03G - * * * -A10D	03-A10D	AC PLUG	
SHD-03G - * * * -A11D	03-A11D		
SHD-03G - * * * -A20D	03-A20D		
SHD-03G - * * * -A22D	03-A22D		
SHD-03G - * * * -A24D	03-A24D		
SHD-03G - * * * -D12D	03-D12D	DC PLUG	
SHD-03G - * * * -D24D	03-D24D		
SHD-03G - * * * -R11D	03-R11D	RF PLUG	
SHD-03G - * * * -R22D	03-R22D		
SHD-03G - * * * -D12U	03-D12U	-	德馳型 Deutsch
SHD-03G - * * * -D24U	03-D24U		
SHD-03G - * * * -D12L	03-D12L	-	出線型 Lead Wire
SHD-03G - * * * -D24L	03-D24L		

型號說明

How to order

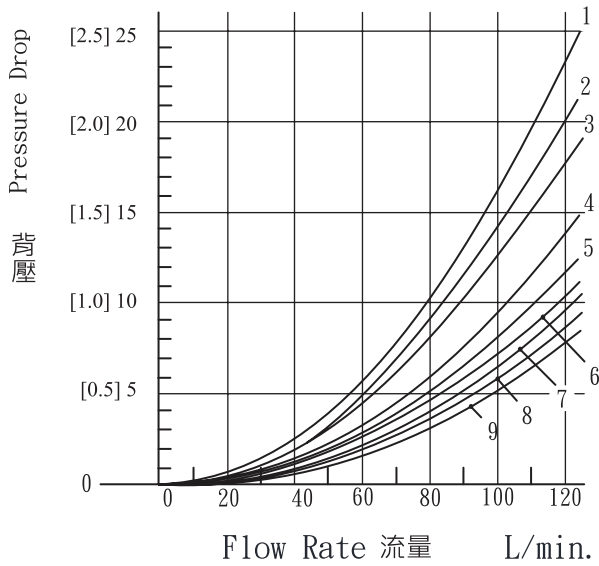
SHD	C	-03G	-2	B	2*	-D24	D	-NP	-33	90
系列號 Series No.		規格 Valve Size	閥位數 Number of Valve Positions	閥芯彈簧 Spool- Spring Arrangement	閥芯代號 Spool Code	線圈類型 Coil Type	電氣接線 Electrical Conduit Connection	閥體 Body	設計號 Design Number	設計標準 Design Standard
SHD:電磁 換向閥 Solenoid Operated Directional Valve	無記號Omit: 標準型 Standard Type	03G	3: Three Positions	C: 彈簧中位 Spring Centred	★1	交流 AC: A11 A12 A20 A22 A24 直流 DC: D12, D24 交流 R: (直流整流) (AC→DC) R11, R22	無標記Omit: 接線盒式 Terminal Box Type D: DIN插頭 型 Plug-in Connector Type U: 德馳型 Deutsch Type L: 出線型 Lead Wire Type	無標記 Omit: 標準型 Standard -NP:鍍鎳 Nickel Plated	-33 -11	OMIT: JIS 90: ANSI
			2: Two Positions	D: 無彈簧定位 No-Spring Detented						
	3: Three Positions		C: 彈簧中位 Spring Centred							
	2: Two Positions		B: 彈簧復位 Spring Offset							
	C: 緩衝型 Shockless Type		3: Three Positions	C: 彈簧中位 Spring Centred		直流 DC: D12, D24 交流 R: (直流整流) (AC→DC) R11, R22				

★1: 閥芯形式之詳情請參考附件: 閥芯代號。
For more detail, please see reference ★1: Spool Code.

性能曲線圖

Characteristic Curves

[Mpa] kgf/cm²

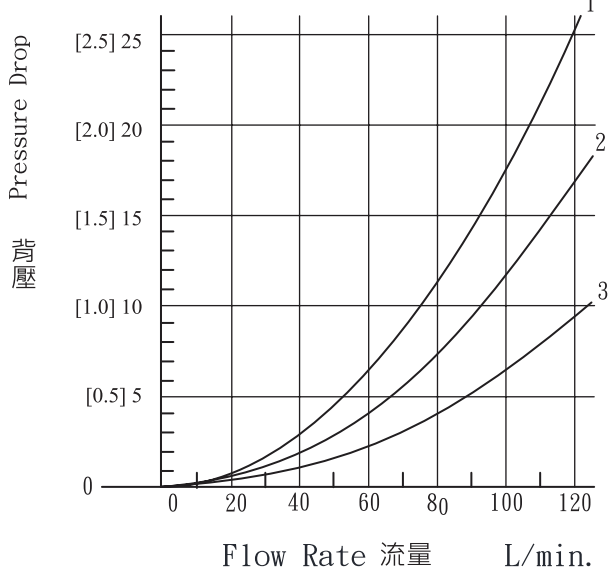


標準型

Standard Type: SHD-03G

型號 Model Numbers	曲線代號 Pressure Drop Curve Number				
	P to A	B to T	P to B	A to T	P to T
SHD-03G-3C2	7	7	7	7	-
SHD-03G-3C3	9	9	9	9	5
SHD-03G-3C4	7	8	7	8	-
SHD-03G-3C40	7	7	7	7	-
SHD-03G-3C5	9	7	7	9	1
SHD-03G-3C60	6	5	6	5	1
SHD-03G-3C9	9	7	9	7	-
SHD-03G-3C10	7	8	7	7	-
SHD-03G-3C11	9	7	7	7	-
SHD-03G-3C12	7	7	7	8	-
SHD-03G-2D2	4	3	6	6	-
SHD-03G-2B2	2	1	7	7	-
SHD-03G-2B3	3	2	9	9	-
SHD-03G-2B8	6	-	5	-	-

[Mpa] kgf/cm²



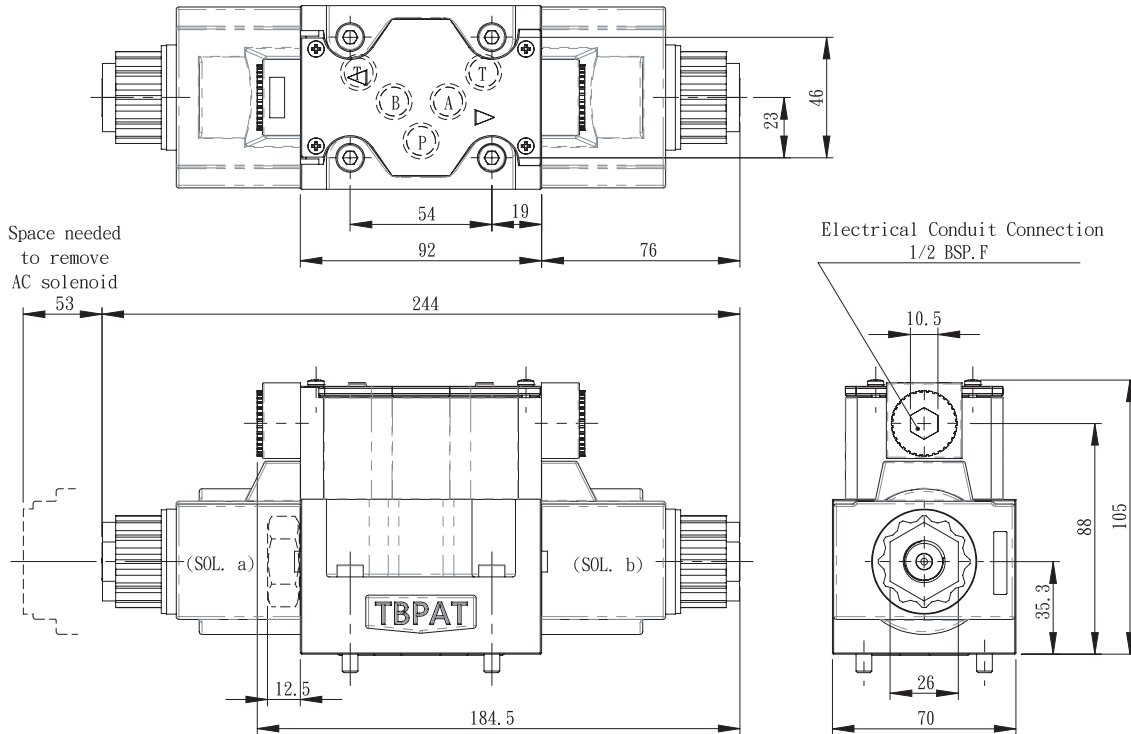
緩衝型

Shockless Type: SHDC-03G

型號 Model Numbers	曲線代號 Pressure Drop Curve Number			
	P to A	B to T	P to B	A to T
SHDC-03G-3C2	2	2	2	2
SHDC-03G-3C4	2	2	3	3
SHDC-03G-2B2	1	2	2	2

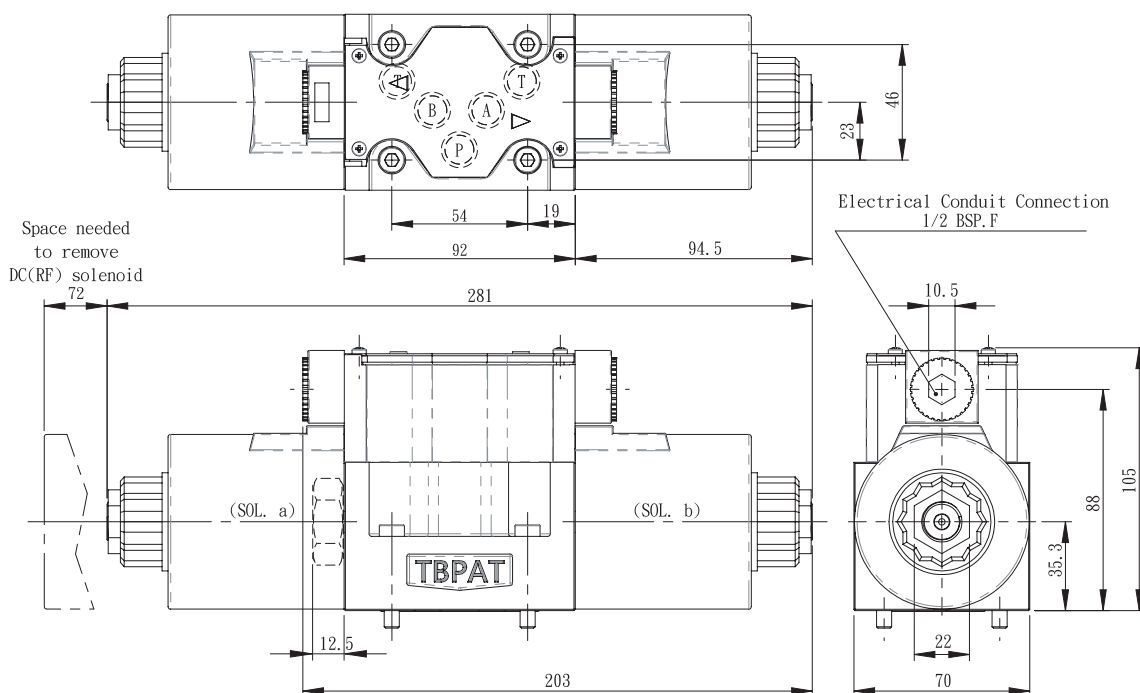
接線盒型-交流

Terminal Box Type- AC



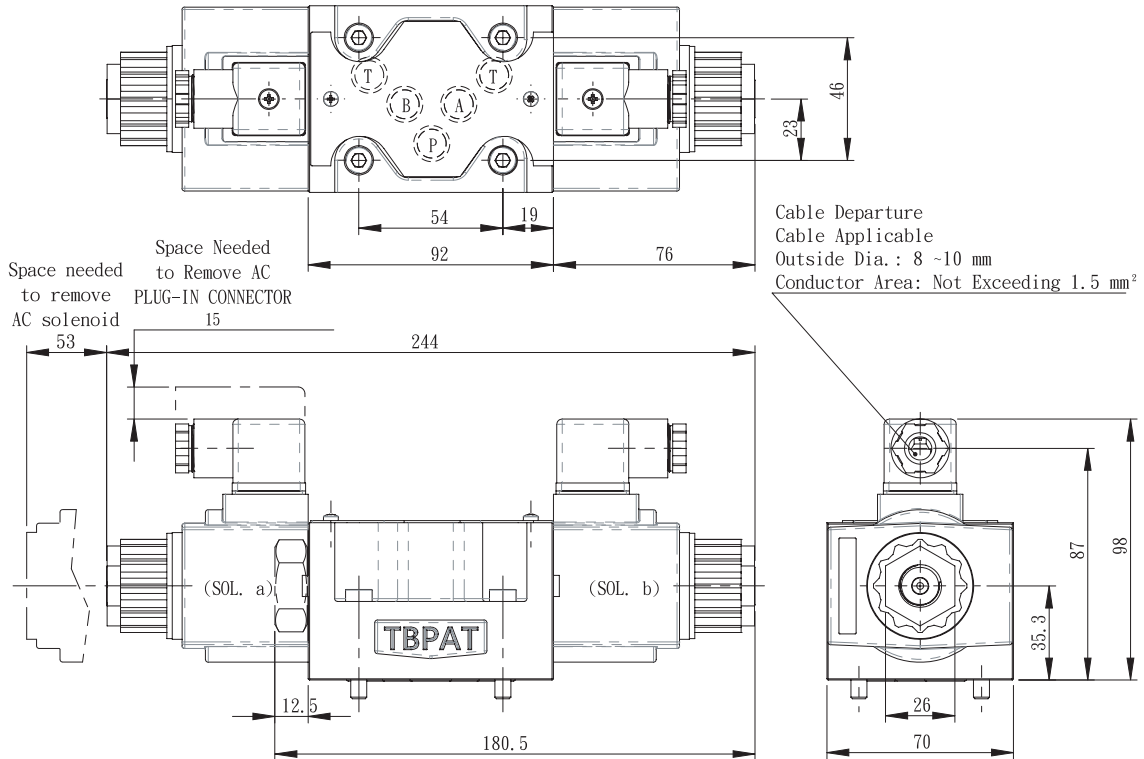
接線盒型-直流

Terminal Box Type- DC



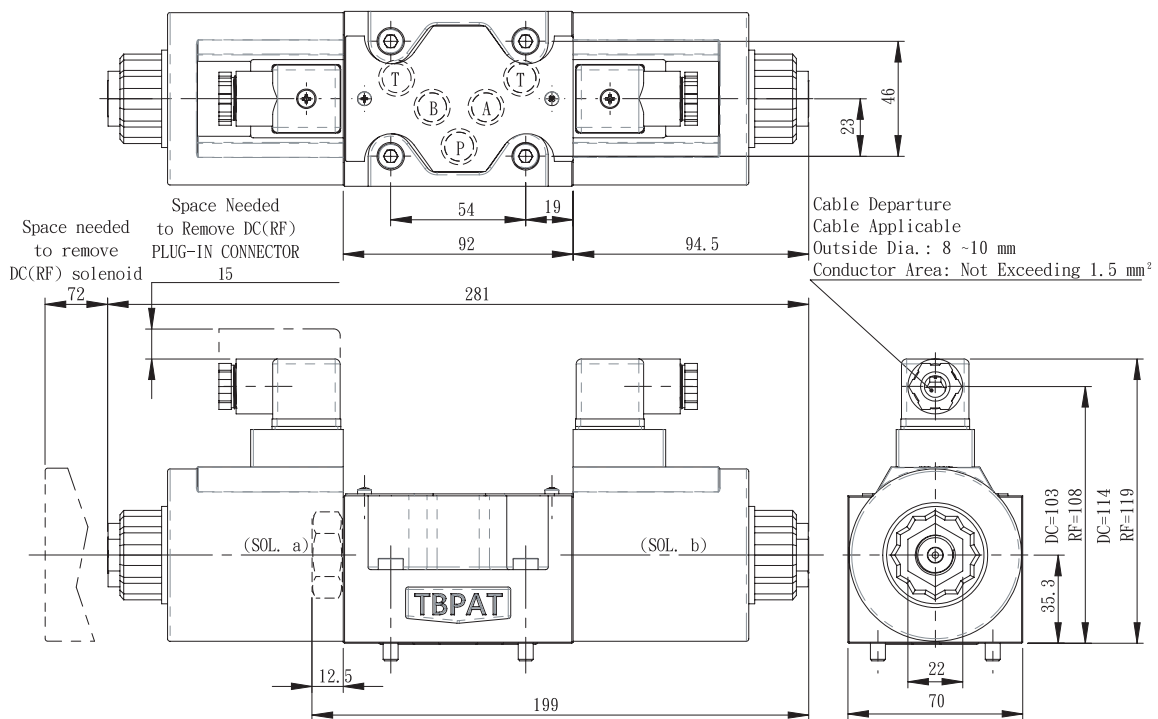
DIN插頭型-交流

Plug-in Type-AC



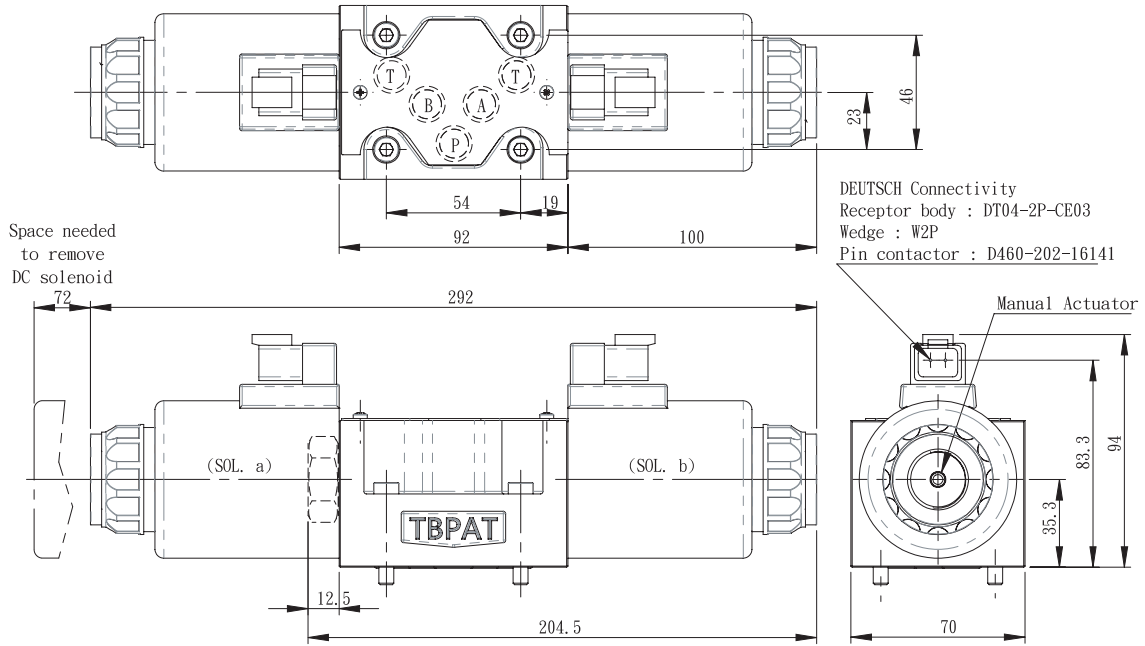
DIN插頭型-直流

Plug-in Type-DC



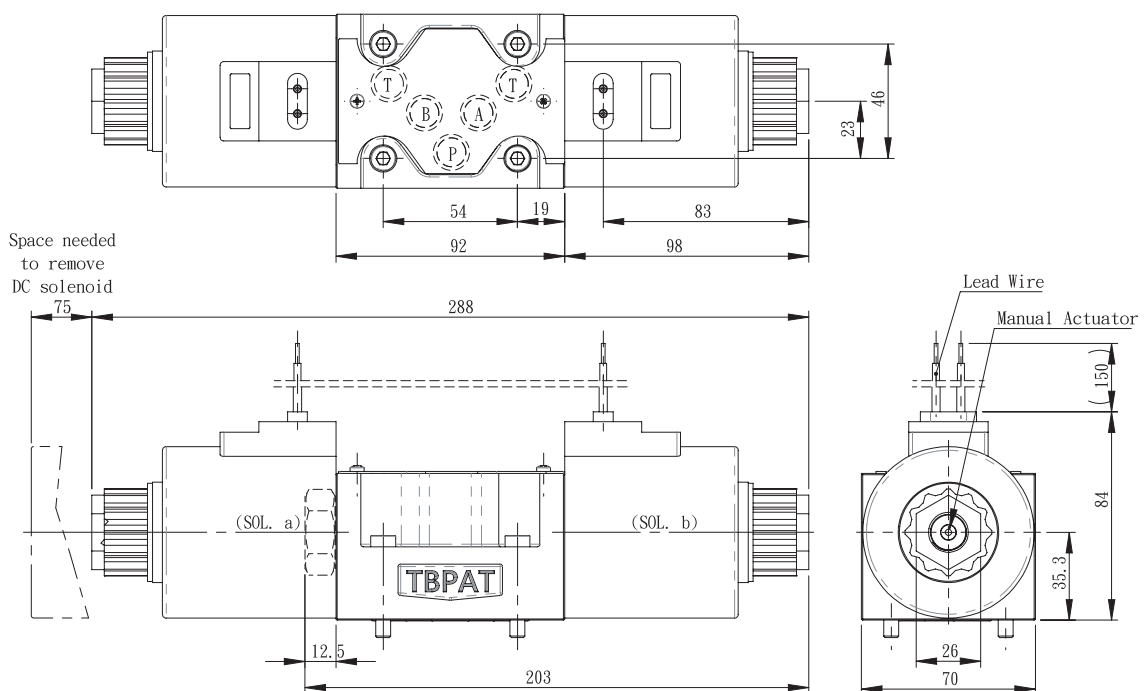
德馳型

Deutsch Type



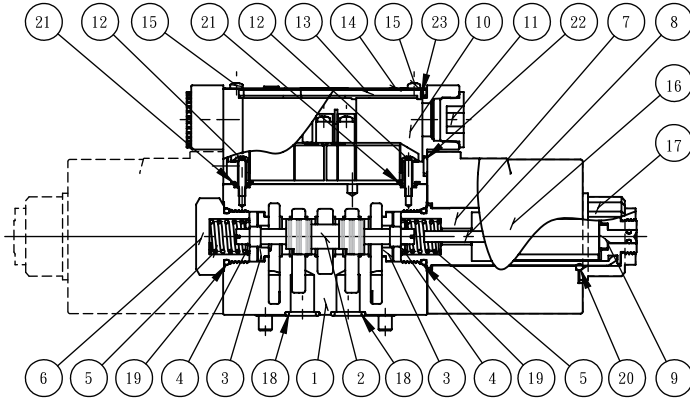
出線型

Lead Wire Type



零件表

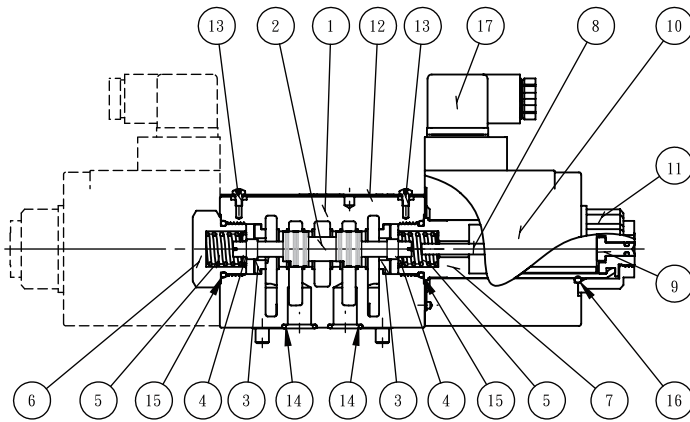
List of Seal



接線盒型
Terminal Box Type

Item	Name of Part
18	O-Ring AS 014(NBR90°)
19	O-Ring P21(NBR70°)
20	★ O-Ring (NBR70°)
21	O-Ring S6(NBR70°)
22	O-Ring P4(NBR70°)
23	Sealing Gasket

★ AC: AS121(NBR70°), DC:G25(NBR70°)



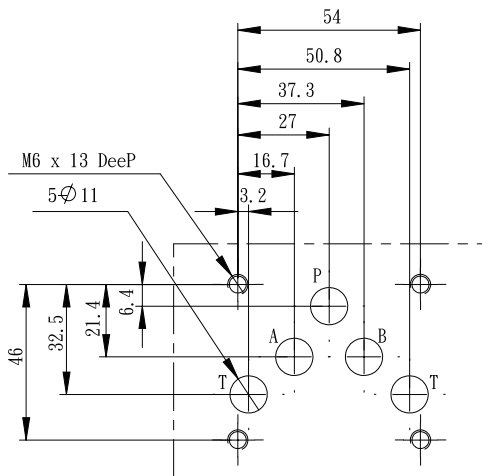
DIN插頭型
Plug-in Connector

Item	Name of Part
14	O-Ring AS014(NBR90°)
15	O-Ring P21(NBR70°)
16	★ O-Ring (NBR70°)
17	DIN Plug

★ AC: AS121(NBR70°), DC:G25(NBR70°)

安裝面標準

Mounting surface: ISO 4401-AC-05-4-A-80

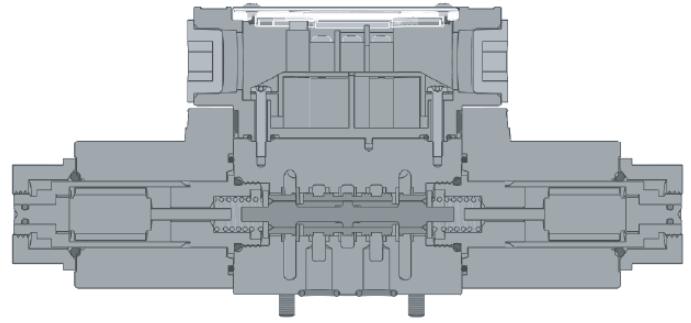


規格 Descriptions	安裝螺絲號 Soc. Hd. Cap Screw (4pcs)	安裝螺釘扭緊扭矩 Tightening Torque
Japanese Standard "JIS" European Standard	M6×35 Lg.	12 - 15 Nm (106 - 133 in. lbs.)
N. American Standard	1/4-20 UNC×1-1/2 Lg.	

DSG-01-★ 高壓大流量系列電磁換向閥

DSG-01-★ High Pressure Big Flow Series

- 採用強力濕式線圈和五腔式本體設計，嶄新的流道設計。實現高壓力、大流量、低壓損等特性。
- 最高使用壓力: 31.5→ 35 Mpa, 提高10%
- T孔容許背壓: 16→ 21 Mpa, 提高30%
- 最大流量: 63→ 100 L/min, 提高60%
- 低壓損: 一般情況壓損減少10%, 達到節能效果
- 除了標準型外, 另有緩衝型, 可將切換聲音及配管震動減至最低
- 線圈高推力及強彈簧力, 對汙染物影響較少
- 防護等級IP65的防塵防水, 德馳線圈提供到防護等級IP67
- 多種接線方式, 接線盒、DIN插頭、出線型、德馳插頭
- 保留磷化本體以外, 另有提供鍍鎳本體以利戶外使用。



- Uses Wet armature solenoid and 5 cabin provides low noise, leakage free and longer life. high pressure, high flow and low pressure drop.
- Max. Operating Pressure: 31.5→35 Mpa
- Max. T-Line Back Pressure: 16→21 Mpa
- Max. Flow Rate: 63→100 L/min
- Low Pressure Drop: The pressure drop of these valves is reduced 10 %, energy-saving effect is more significant.
- In addition to the standard valves for high pressure and high flow, a shockless type capable of minimizing noise and vibration in piping during spool changeover is also available.
- Due to the powerful magnetic and spring force of the solenoids, these valves exhibit a high tolerance to contaminants.
- IP65-equivalent high dust and water-proof characteristics. Deutsch Type can provide IP67- equivalent.
- Various connecting types: Terminal Box, DIN Plug-in and Deutsch Connector type.
- Providing phosphated valve body (standard) and nickel-plated valve body for outdoor use.



規格

Specifications

系列 Series	型號 Model Numbers	最大流量 Max. Flow (L/min)	最大壓力 Max. Operating Pressure (Mpa)	最大背壓 Max. T-Line Back Pressure (Mpa)	最高切換頻率 Max. Frequency (Cycles/Min)	重量 Weight (Kg)
標準型 Standard Type	DSG-01-3C * - * -70/7090	100	35	21	240 (R Type Sol. Only 120)	1.85
	DSG-01-2D2- * -70/7090					1.4
	DSG-01-2B * - * -70/7090					1.4
緩衝型 Shockless Type	S-DSG-01-3C * - * -70/7090	63	25		120	1.85
	S-DSG-01-2B2- * -70/7090					1.4

性能表

Solenoid Ratings

系列 Series	電源 Power	線圈 Coil	電壓 Voltage	頻率(HZ) Hertz	啟動電流(A) In-Rush Current	保持電流(A) Holding Current	功率(W) Power
標準型 Standard Type	AC	A100	100	50	2.42	0.51	-
			110	60	2.14	0.37	
		A110	110	50	2.35	0.44	
			120	60	2.02	0.42	
		A200	200	50	1.21	0.25	
			220	60	1.18	0.22	
		A220	220	50	1.07	0.19	
			240	60	0.89	0.15	
		A240	240	50	1.01	0.21	
		緩衝型 Shockless Type	DC	D12	12	-	
D24	24			1.23			
AC→DC (RF)	R100		100	50/60	-	0.33	29.00
	R200		200			0.16	

電磁鐵、線圈組件表

Coil and Ass'y No.

型號 Model Numbers	線圈組件號 Coil No.	電氣接線形式 Electrical Conduit Connection	備註 Remark
DSG-01 -* * *-A100-70	C-SA1-100-70	Single: 01-AC-1 Double: 01-AC-2	接線盒型 Terminal Box
DSG-01 -* * *-A110-70	C-SA1-110-70		
DSG-01 -* * *-A200-70	C-SA1-200-70		
DSG-01 -* * *-A220-70	C-SA1-220-70		
DSG-01 -* * *-A240-70	C-SA1-240-70		
DSG-01 -* * *-D12-70	C-SD1-12-70	Single: 01-DC-1 Double: 01-DC-2	DIN插頭型 Plug-in Connector with lamp
DSG-01 -* * *-D24-70	C-SD1-24-70		
DSG-01 -* * *-R110-70	C-SR1-110-70	Single: 01-RF-1 Double: 01-RF-2	
DSG-01 -* * *-R220-70	C-SR1-220-70		
DSG-01 -* * *-A100-N-70	C-SA1-100-N-70	AC PLUG	
DSG-01 -* * *-A110-N-70	C-SA1-110-N-70		
DSG-01 -* * *-A200-N-70	C-SA1-200-N-70		
DSG-01 -* * *-A220-N-70	C-SA1-220-N-70		
DSG-01 -* * *-A240-N-70	C-SA1-240-N-70		
DSG-01 -* * *-D12-N-70	C-SD1-12-N-70	DC PLUG	
DSG-01 -* * *-D24-N-70	C-SD1-24-N-70		
DSG-01 -* * *-R110-N-70	C-SR1-110-N-70	RF PLUG	
DSG-01 -* * *-R220-N-70	C-SR1-220-N-70		

型號說明

How to order

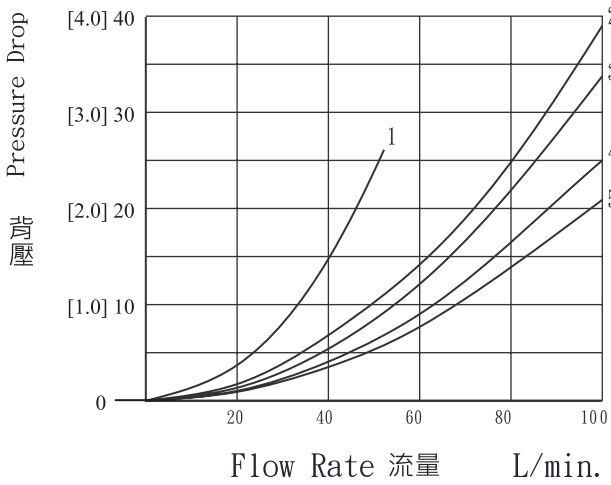
S-	DSG	-01	-2	B	2	-D24	-N	-NP	-70	90
系列號 Shockless Type		規格 Valve Size	閥位數 Number of Valve Positions	閥芯彈簧 Spool- Spring Arrangement	閥芯代號 Spool Code	線圈類型 Coil Type	電氣接線 Electrical Conduit Connection	閥體 Body	設計號 Design Number	設計標準 Design Standard
無記號Omit: 標準型 Standard Type	DSG:電磁換 向閥 Solenoid Operated Directional Valve	01	3: Three Positions	C: 彈簧中位 Spring Centred	★1	交流 AC: A100 A110 A200 A220 A240 直流 DC: D12, D24	無標記 Omit: 接線盒式 Terminal Box Type N: DIN 插頭 型 Plug-in Connector Type	無標記 Omit: 標準型 Standard -NP:鍍鎳 Nickel Plated	70	OMIT: JIS 90: ANSI
			2: Two Positions	D: 無彈簧定位 No-Spring Detented B: 彈簧復位 Spring Offset		交流 R: (直流整流) (AC→DC) R110, R220				
S: 緩衝型 Shockless Type			3: Three Positions	C: 彈簧中位 Spring Centred		直流 DC: D12, D24				
			2: Two Positions	B: 彈簧復位 Spring Offset Spring Centred		交流 R: (直流整流) (AC→DC) R110, R220				

★1: 閥芯形式之詳情請參考附件: 閥芯代號。
For more detail, please see reference ★1 : Spool Code.

性能曲線圖

Characteristic Curves

[Mpa] kgf/cm²

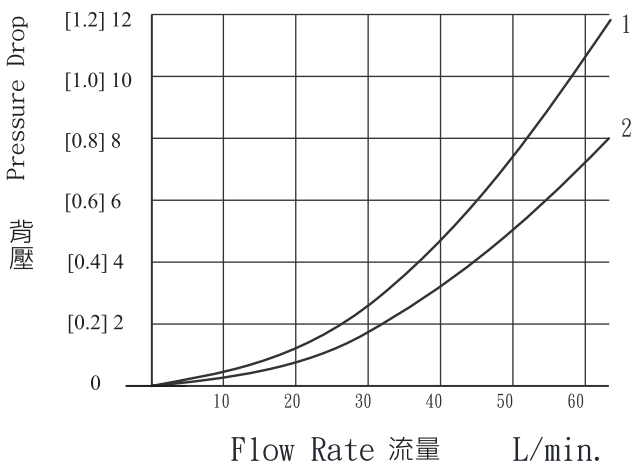


標準型

Standard Type: DSG-01-70

型號 Model Numbers	曲線代號 Pressure Drop Curve Number				
	P to A	B to T	P to B	A to T	P to T
DSG-01-3C2	4	4	4	4	-
DSG-01-3C3	5	5	5	5	2
DSG-01-3C4	4	4	4	4	-
DSG-01-3C40	4	4	4	4	-
DSG-01-3C60	1	1	1	1	2
DSG-01-3C9	5	3	5	3	-
DSG-01-3C10	4	5	4	4	-
DSG-01-3C11	4	4	4	4	-
DSG-01-3C12	4	4	4	5	-
DSG-01-2D2	5	4	5	4	-
DSG-01-2B2	5	4	5	4	-
DSG-01-2B3	5	5	5	5	-
DSG-01-2B8	5	-	4	-	-

[Mpa] kgf/cm²



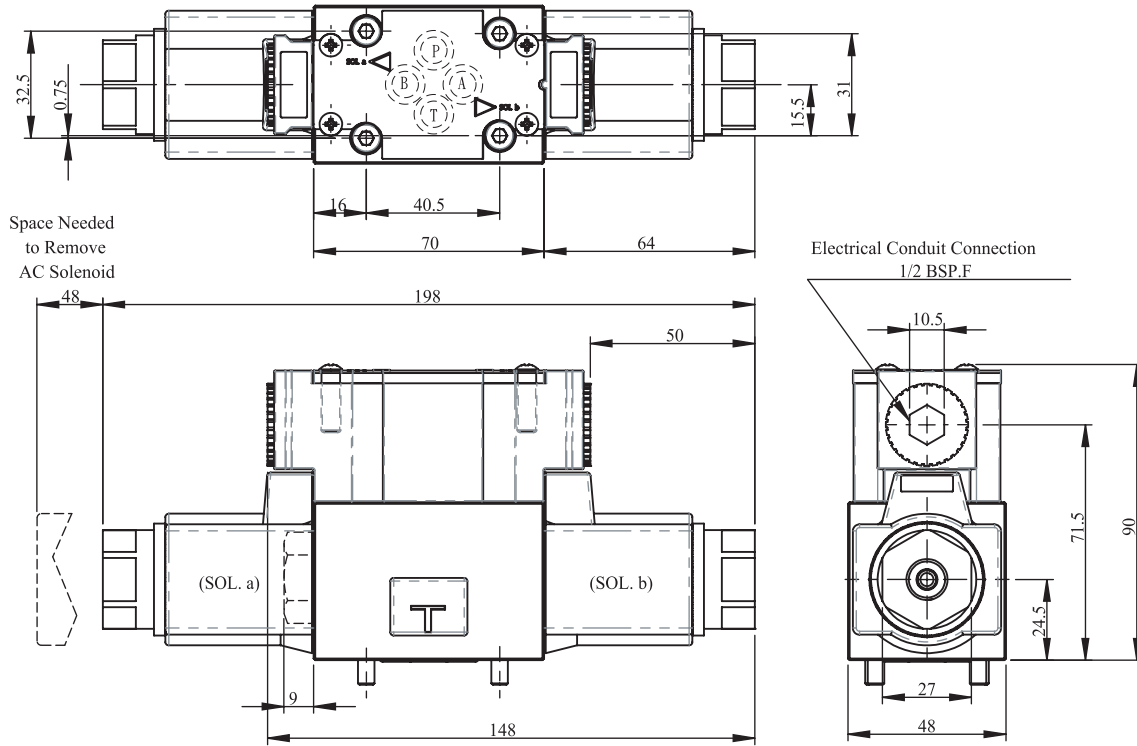
緩衝型

Shockless Type: S-DSG-01-70

型號 Model Numbers	曲線代號 Pressure Drop Curve Number			
	P to A	B to T	P to B	A to T
S-DSG-01-3C2	1	1	1	1
S-DSG-01-3C4	1	2	1	2
S-DSG-01-2B2	1	1	1	1

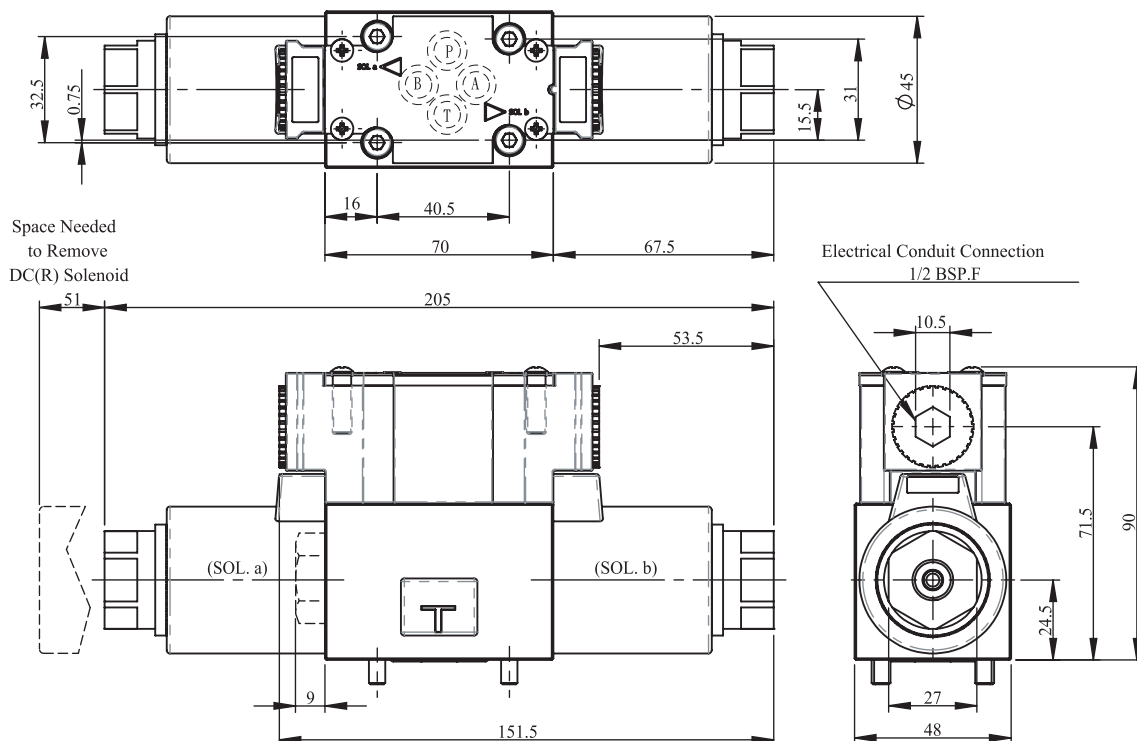
接線盒型-交流

Terminal Box Type- AC



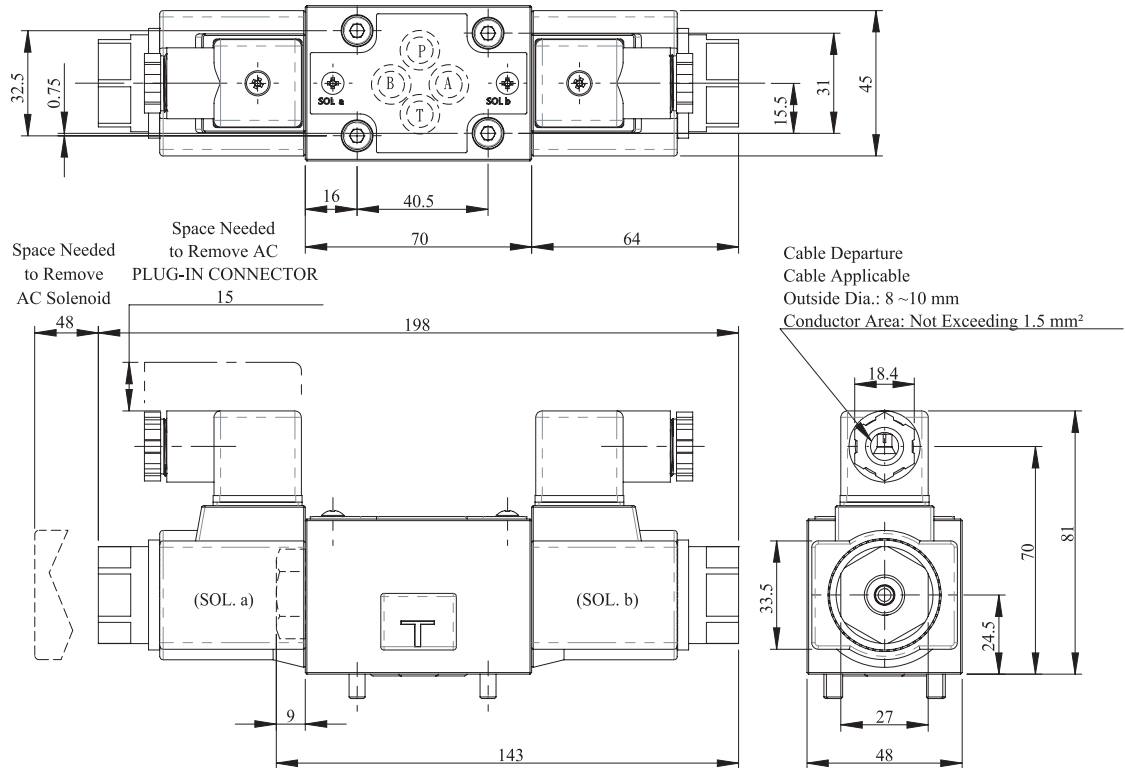
接線盒型-直流

Terminal Box Type- DC



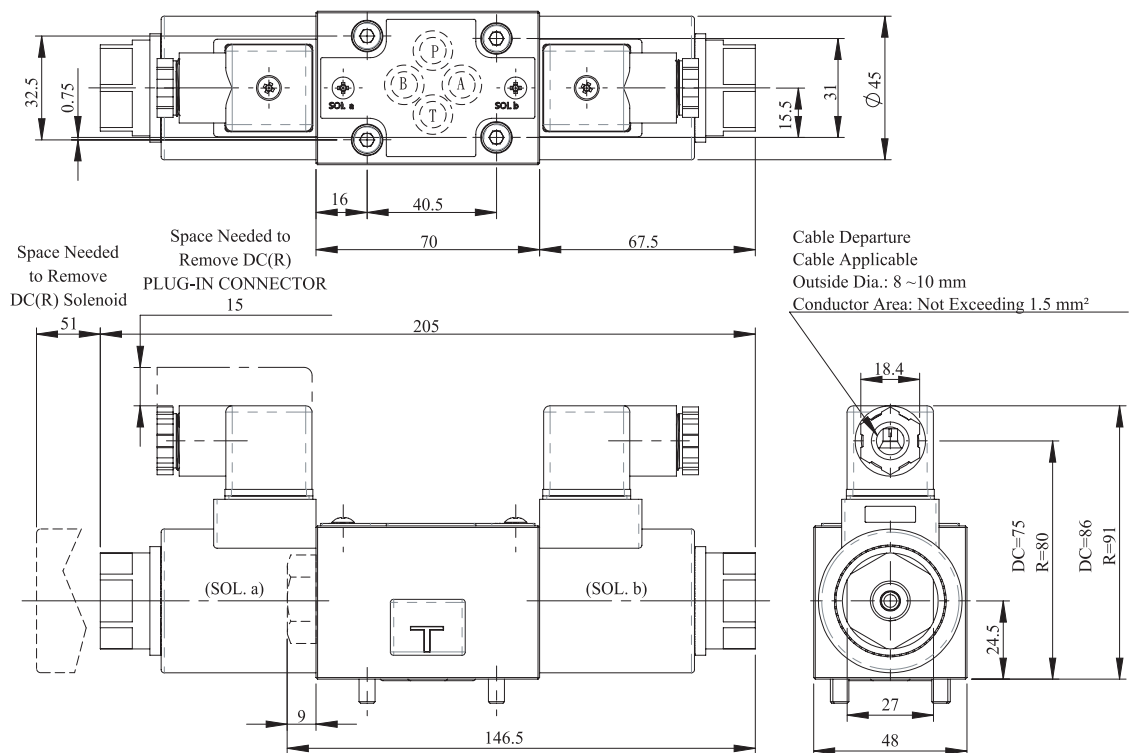
DIN插頭型-交流

Plug-in Connector Type- AC



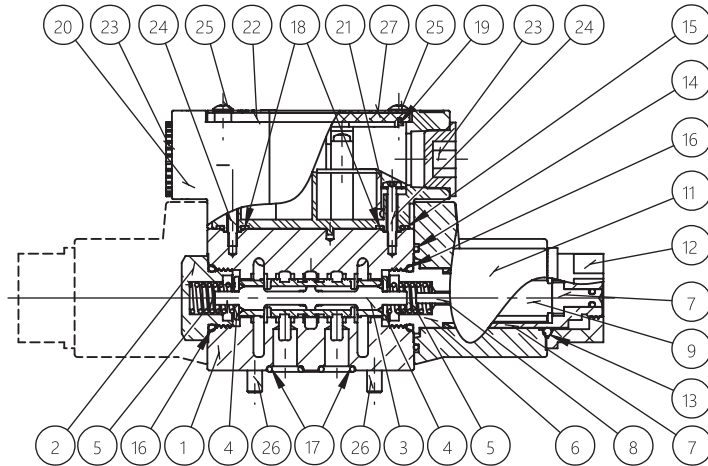
DIN插頭型-直流

Plug-in Connector Type- DC



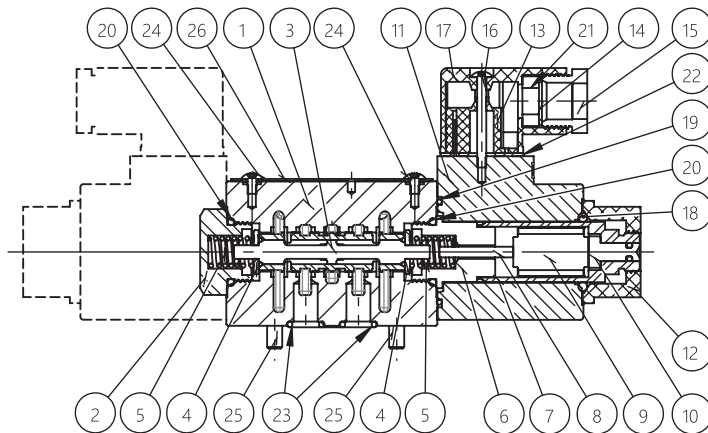
零件表

List of Seal



接線盒型
Terminal Box Type

Item	Name of Part
13	O-Ring 20*3(NBR70°)
14	O-Ring AS026(NBR70°)
15	O-Ring P4(NBR70°)
16	O-Ring P18(NBR70°)
17	O-Ring P9(NBR90°)
18	O-Ring S6(NBR70°)
19	Sealing Gasket

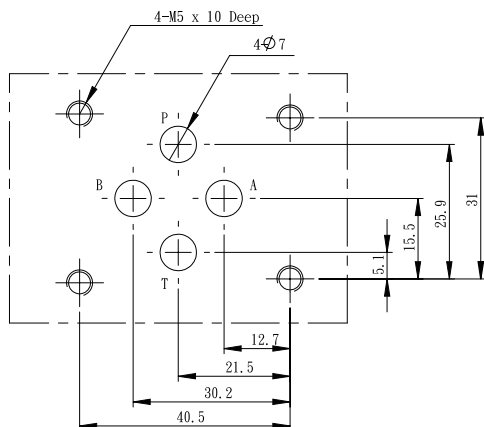


DIN插頭型
Plug-in Connector

Item	Name of Part
14	O-Ring P9(NBR90°)
15	O-Ring P18(NBR70°)
16	O-Ring 20*3(NBR70°)
17	DIN Plug

安裝面標準

Mounting surface: ISO 4401-AB-03-4-A

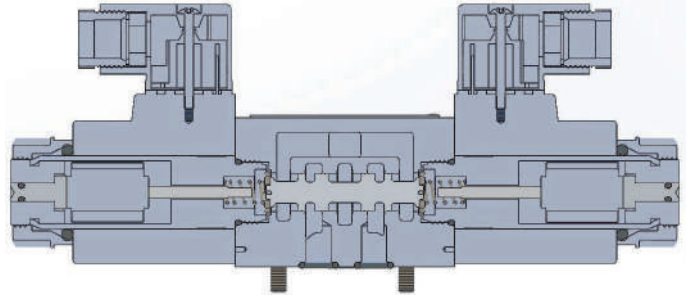


規格 Descriptions	安裝螺絲號 Soc. Hd. Cap Screw (4pcs)	安裝螺釘扭緊扭矩 Tightening Torque
Japanese Standard "JIS" European Standard	M5×45 Lg.	5-7 Nm (43 - 60 in. lbs.)
N. American Standard	No. 10-24 UNC × 1-3/4 Lg.	

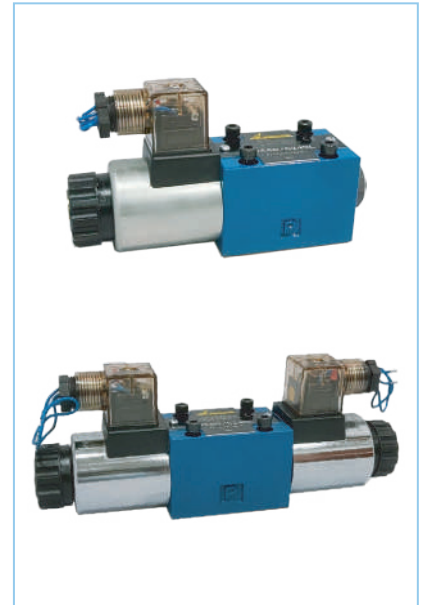
4WE 系列電磁換向閥

4WE Solenoid Operated Directional Valves

- 最高使用壓力: 35 Mpa (5076 PSI)
- 最高T孔背壓: AC 16 Mpa (2320PSI)、DC 21 Mpa (3050 PSI)
- 線圈可90度安裝以配合不同工作環境
- 閥體表面烤漆處理、耐用抗腐蝕
- 高品質製造, CE 認證產品



- Max. Operating Pressure: 35 Mpa (5076 PSI)
- Max. T Line Back Pressure: AC: 16 Mpa (2320 PSI), DC: 21 Mpa (3050 PSI)
- Environment Temperature Range: -20 ~ 50°C
- Hydraulic Oil Temperature Range: -20 ~ 80°C
- Viscosity Range: 2.8 ~ 500 mm²/s (35 ~ 2320 SUS)
- Max Admissible Degree of Contamination of Hydraulic Fluid: Class 20/18/15
- High pressure and high flow rating provide low pressure drop performance.
- Port specification matches ISO 4401-03-02-0-05 standard.
- Coil can be rotated 90 degrees to match different working space.
- Two connecting types: DIN Plug-in (IP65), Deutsch Connector (IP67).
- Paint treatment on the valve body provides high corrosion resistance.
- CE certified to assure the high quality.



規格

Specifications

型號 Model Numbers	最大流量 Max. Flow (L/min)	最大壓力 Max. Operating Pressure (Mpa)	最大背壓 Max. T-Line Back Pressure (Mpa)	最高切換頻率 Max. Frequency (Cycles/Min)	重量Weight (Kg)	
					單頭 Single	雙頭 Double
4WE6*/**	AC: 60 DC: 80	35	AC: 16 DC: 21	AC: 2 DC: 4.2	1.45	1.95
4WE10*/**	160		21			

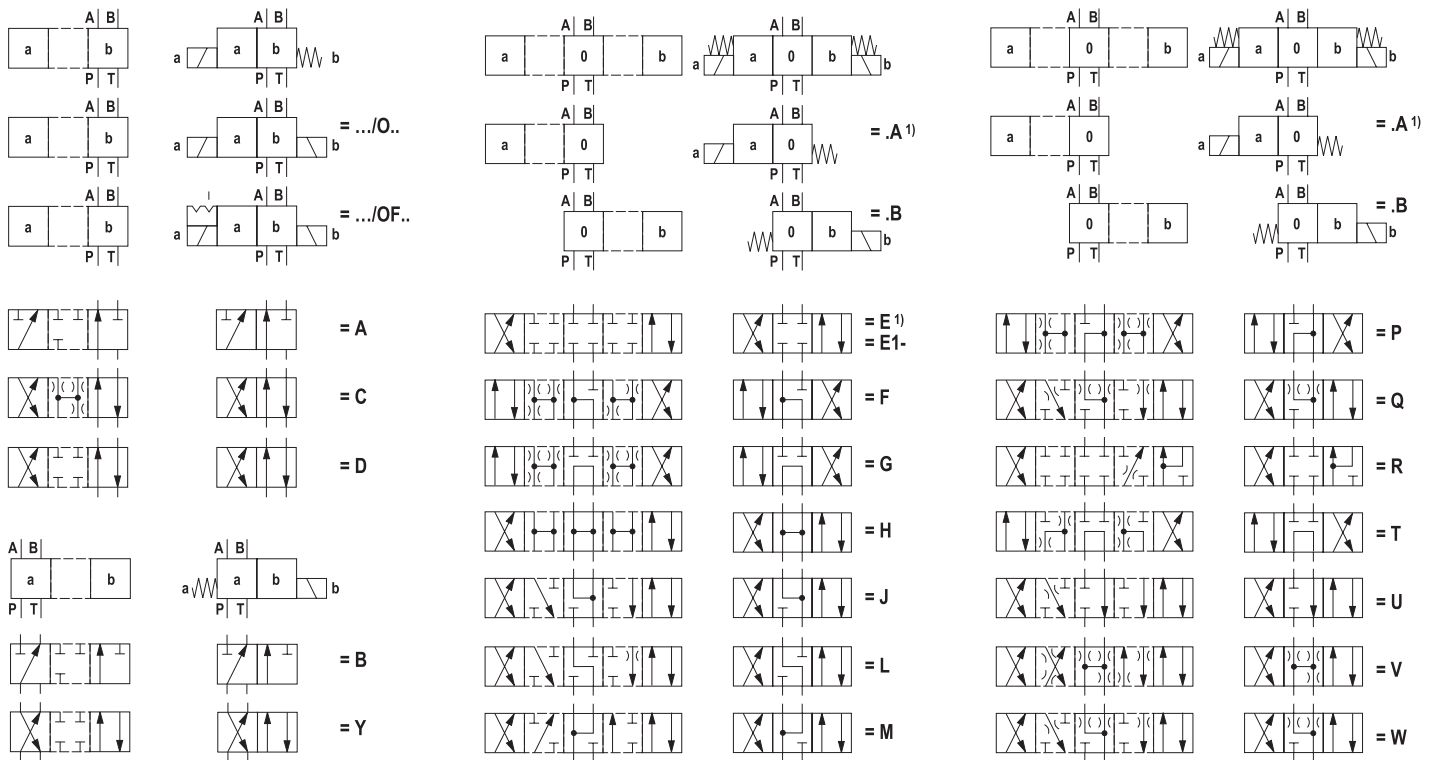
型號說明

How to order

4WE	6	E	/ G12	NL
系列號 Series No.	規格 Valve Size	閥芯代號 Spool Code	線圈類型 Coil Type	電氣接線形式 Electrical Conduit Connection
4WE: 電磁換向閥 Solenoid Operated Directional Valve	6: (NG6) 10: (NG10)	★2	G12: DC12V G24: DC24V W110-50: AC110V/50HZ W220-50: AC220V/50HZ W110: RF110V (AC→DC) W220: RF220V (AC→DC) *Rectifier Inside	NL: 插頭式帶指示燈 DIN Plug In with Indicator U: 德馳插頭式 Deutsch Connector

閥芯代號

★2 Spool Code

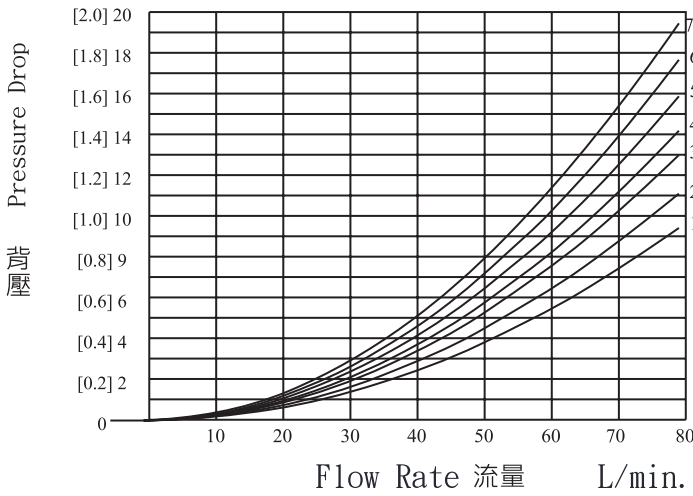


性能曲線圖

Characteristic Curves

(measured with HLP46, $\theta_{oil} = 40 \pm 5 \text{ } ^\circ\text{C}$ [104 \pm 9 $^\circ\text{F}$]) Δp - q_v characteristic curves

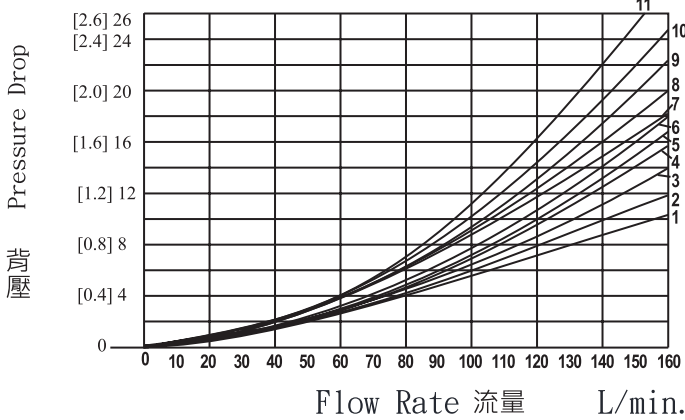
[Mpa] kgf/cm²



六通徑: 4W6

Symbol	Directional of Flow			
	P → A	P → B	A → T	B → T
A	5	5	-	-
C	3	3	5	3
D, Y	6	6	5	5
E	5	5	3	3
F	3	5	3	3
H	2	1	2	2
J, Q	3	3	2	3
L	5	5	1	4
M	2	1	5	5
U	5	5	4	1
G	7	7	4	4

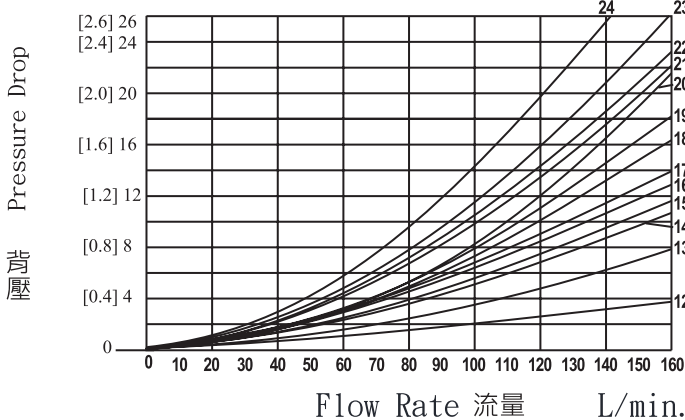
[Mpa] kgf/cm²



十通徑: 4W10

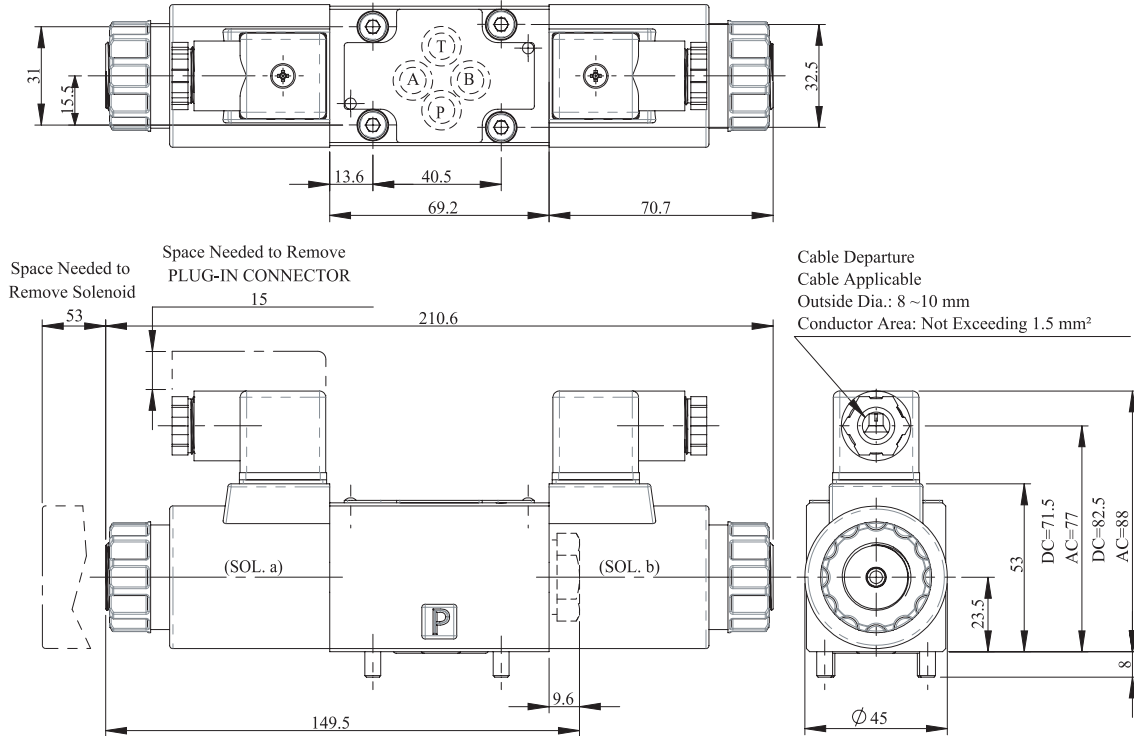
Symbol	Directional of Flow			
	P → A	P → B	A → T	B → T
A	6	6	-	-
C	1	2	5	7
D	2	2	5	7
E	17	16	19	21
F	2	3	22	23
G	4	4	24	24
H	14	14	20	21
J	3	3	9	11
Q	16	17	4	8
L	3	3	9	9
M	14	14	6	8
U	3	3	6	11
Y	17	16	18	21

[Mpa] kgf/cm²



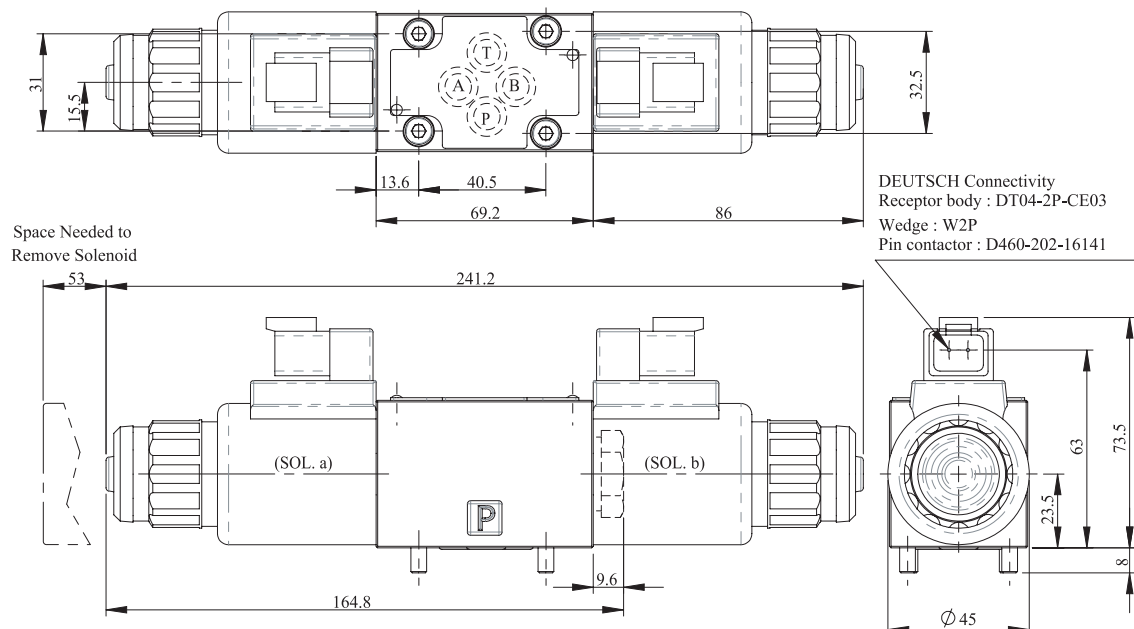
插頭型

4WE6 DIN Plug In Type



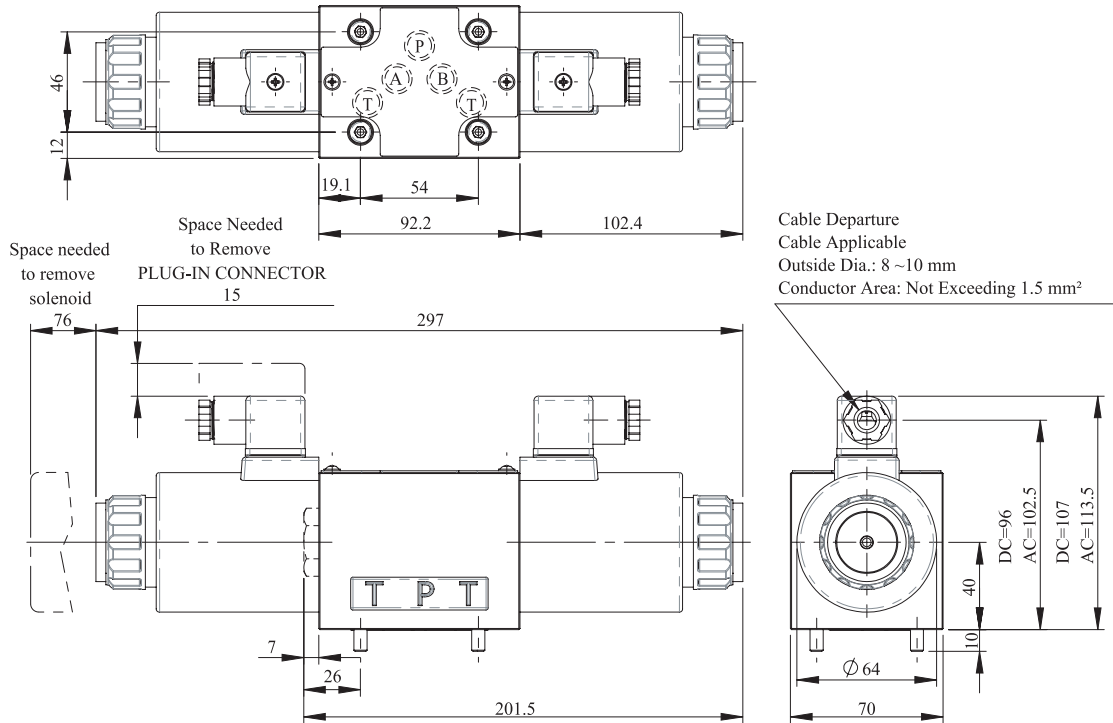
德馳型

4WE6 Deutsch Type



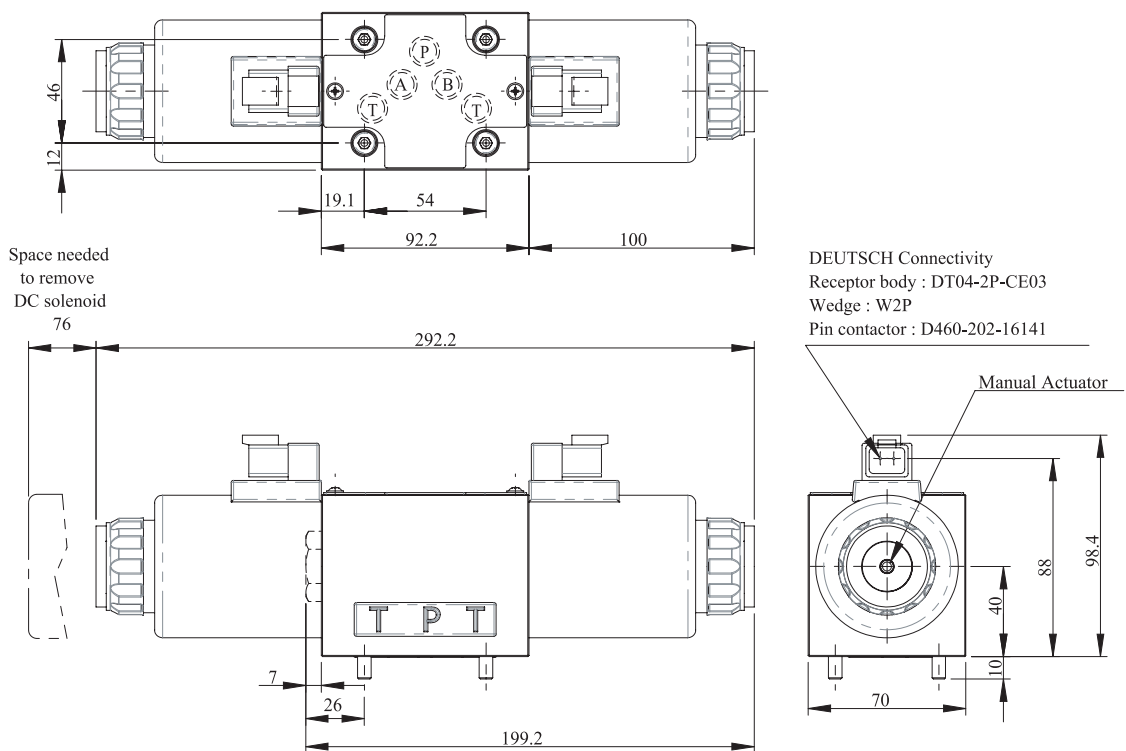
插頭型

4WE10 DIN Plug In Type



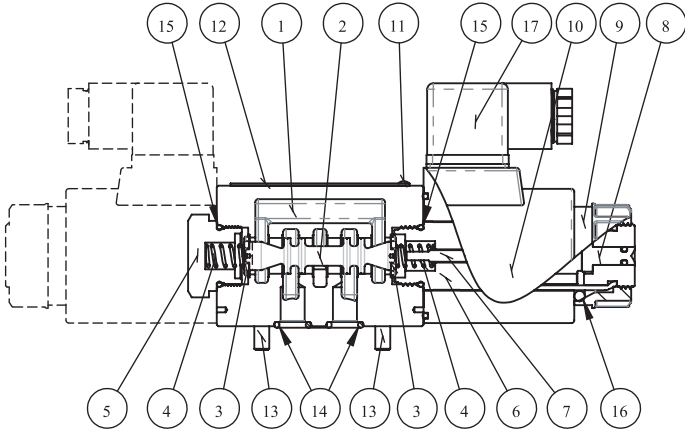
德馳型

4WE10 Deutsch Type



零件及油封配件表

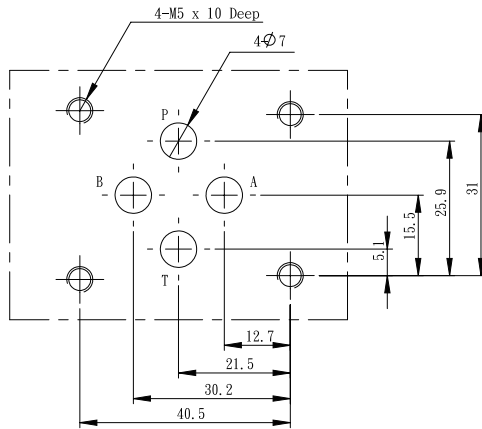
List of Parts & Seals



Item	Name of Part (O-Rings)	
	4WE6	4WE10
14	P9(NBR90°)	AS014(NBR90°)
15	AS017(NBR70°)	AS118(NBR70°)
16	AS213(NBR70°)	G30(NBR70°)
17	DIN Plugs	

4W6 安裝面標準

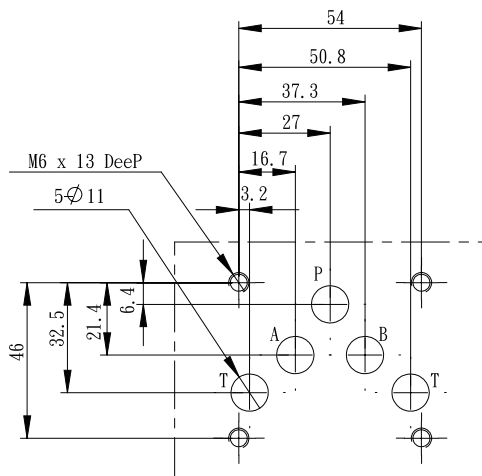
Mounting surface: ISO 4401-AB-03-4-A-80



Mounting Bolt: M5×50Lg.

4W10 安裝面標準

Mounting surface: ISO 4401-AC-05-4-A-80



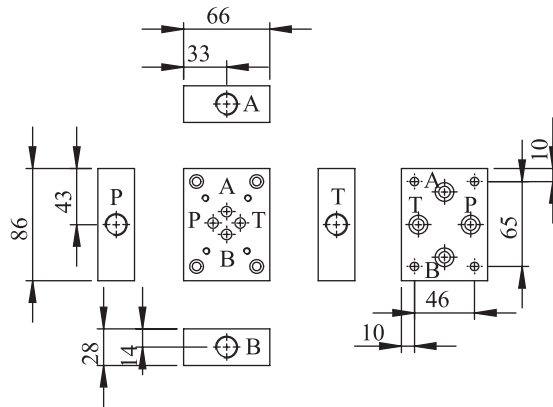
Mounting Bolt: M6×40Lg.

底板

Subplate

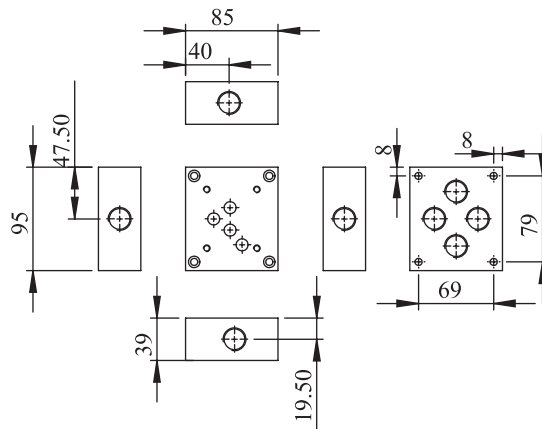
Port Position
 S: Side port
 B: Bottom port

SP-02



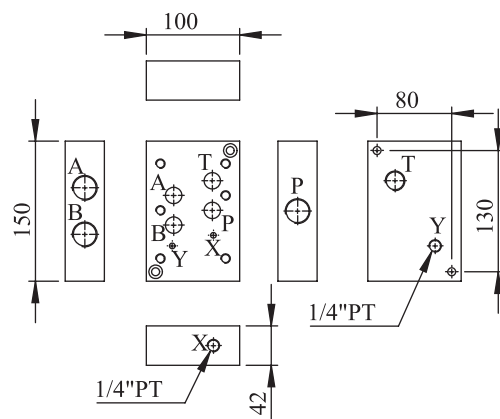
Port Size
 Standard: 1/4" PT
 X: 3/8" PT

SP-03



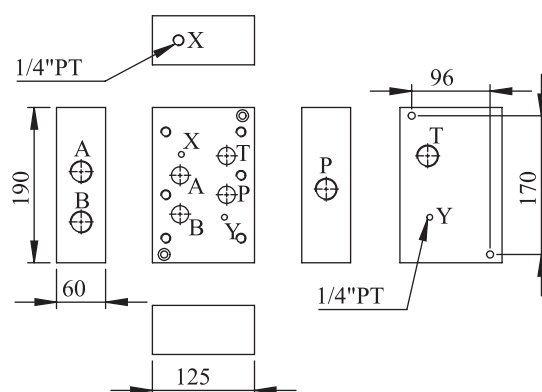
Port Size
 Standard: 3/8" PT
 X: 1/2" PT

SP-04



Port Size
 Standard: 1/2" PT
 X: 3/4" PT

SP-06

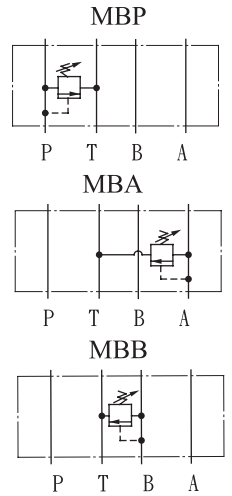


Port Size
 Standard: 3/4" PT
 X: 1" PT

疊加型溢流閥

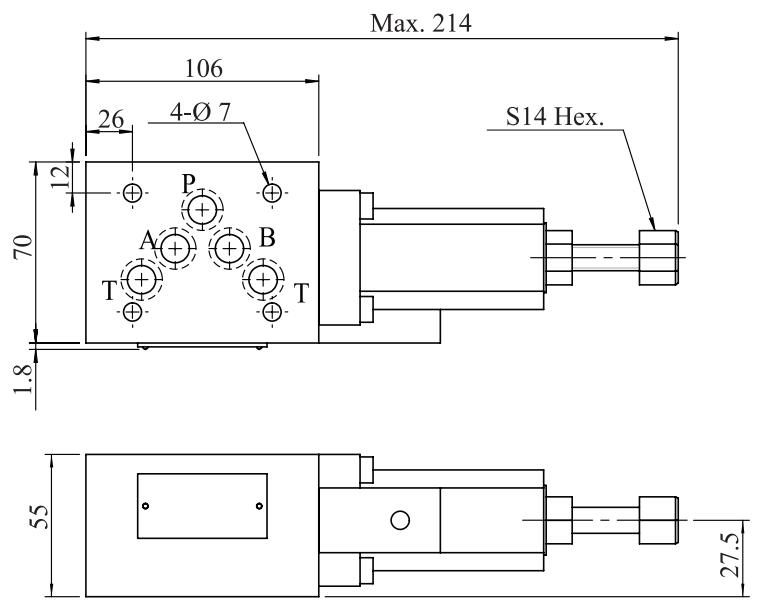
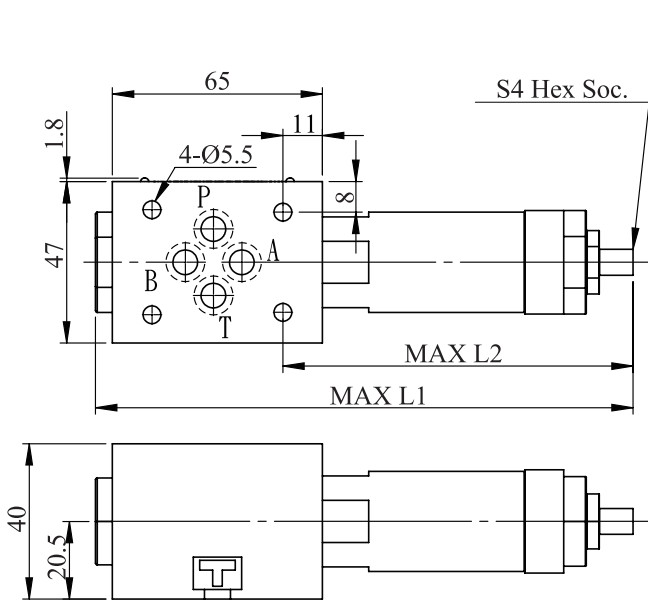
Modular Relief Valves

MB	P	-01	-C			
系列號 Series	控制位置 Control Port	公稱通徑 Valve Size	壓力調節範圍 Pressure Adjust Range (MPa)	額定流量 Rate Flow (L/min)	最大壓力 Max. Pressure (MPa)	重量 Weight(Kg)
MB	P (P Port) A (A Port) B (B Port)	01	C: *-14Mpa H: 7-21Mpa	35	31.5	1.5
	P (P Port) A (A Port) B (B Port)	03	B: *-7 Mpa H: 3.5-31.5 Mpa	70	25	3.4



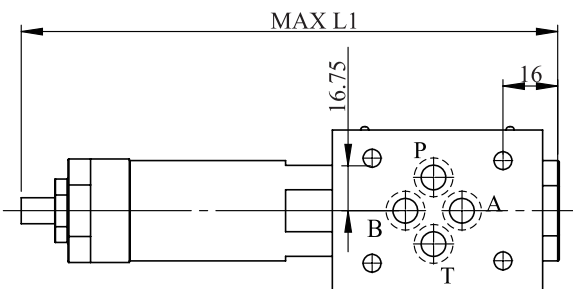
MBP-01, MBB-01

MBB-03

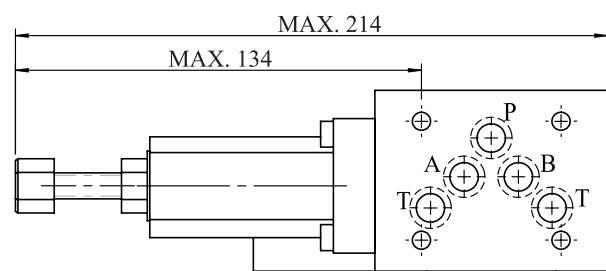


MODEL NAME	L1	L2
MB*-01-C	151	92
MB*-01-H	166.5	107.5

MBA-01



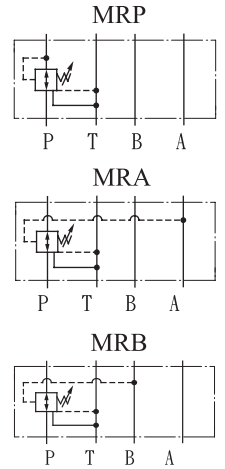
MBA-03, MBP-03



疊加型減壓閥

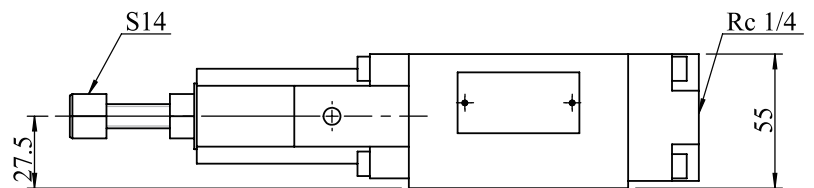
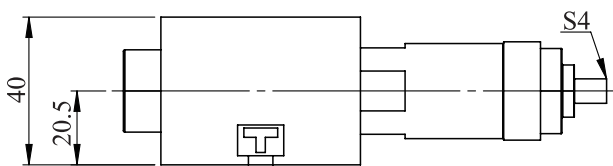
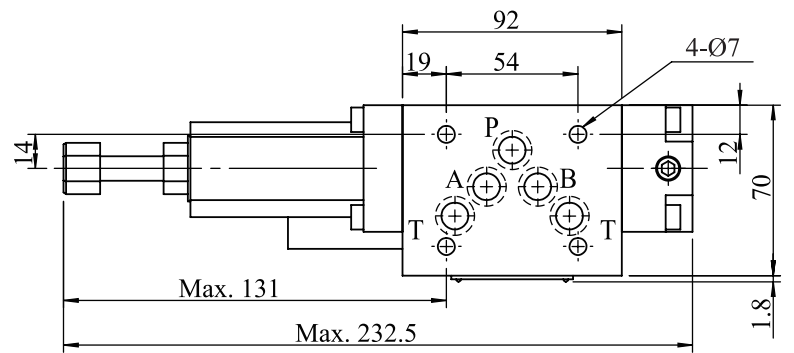
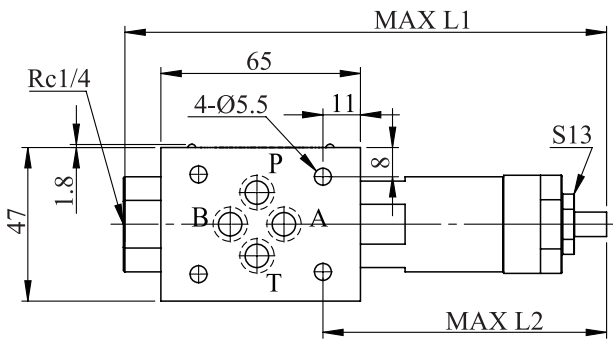
Modular Reducing Valves

MR	P	-01	-B		
系列號 Series	控制位置 Control Port	公稱通徑 Valve Size	壓力控制範圍 Pressure Adjust Range (MPa)	最大流量 Max. Flow (L/min)	最大壓力 Max. Pressure (MPa)
MR	P (P Port) A (A Port) B (B Port)	01	B: * -7 C: 3.5-14 H: 7-21	35	31.5
		03	B: * -7 H: 3.5-31.5	70	25



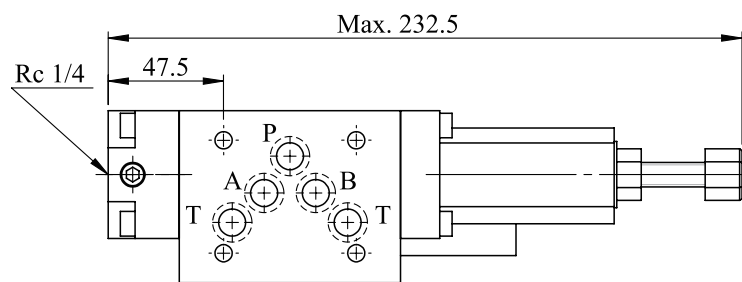
MRP-01, MRA-01, MRB-01

MRP-03, MRB-03



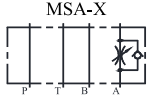
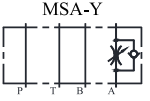




MRA-03

Model No.	L1	L2
MR*-01-B/C	158	92
MR*-01-H	173.5	107.5

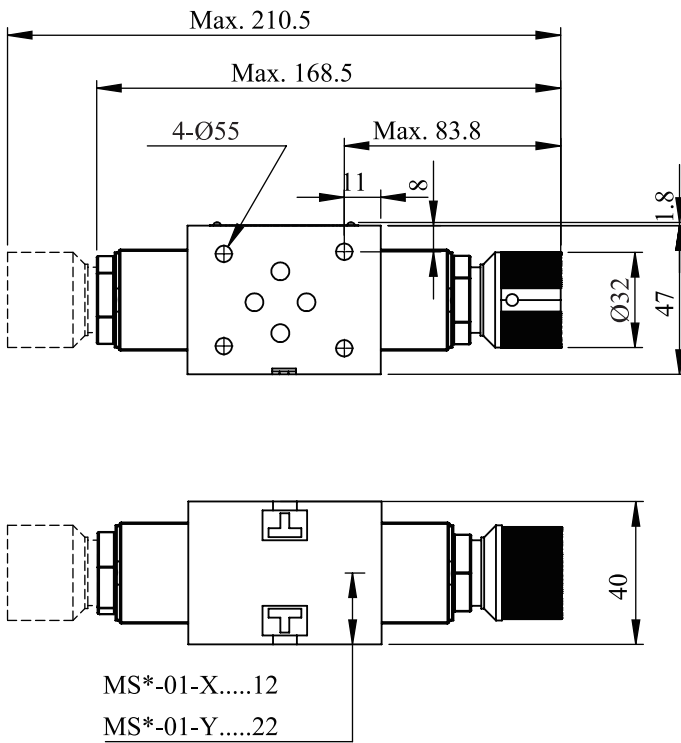


疊加型流量閥

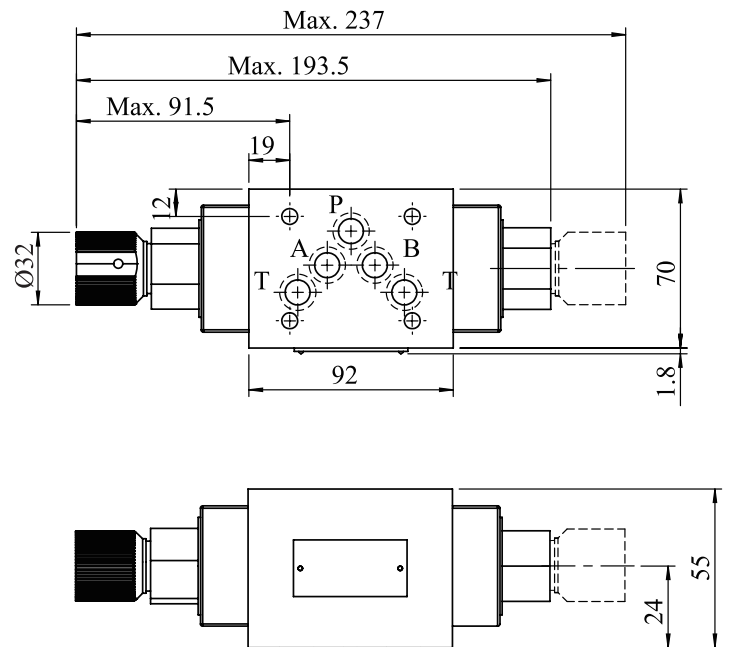
Modular Throttle & Check Valves

MS	A	-01	-X			Metre-Out		Metre-In	
系列號 Series	控制位置 Control Port	公稱通徑 Valve Size	控制方式 Control Type	最大流量 Max. Flow (L/min)	最大壓力 Max. Pressure (MPa)	 MSA-X		 MSA-Y	
MS	A (A Port) B (B Port) W (A&B Port)	01	X: 出油控制 Meter-out Y: 入油控制 Metre-in	60	31.5	 MSB-X		 MSB-Y	
		03		120	25	 MSW-X		 MSW-Y	

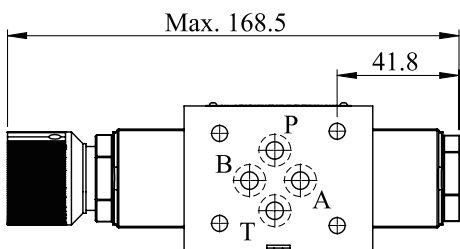
MSW-01, MSA-01



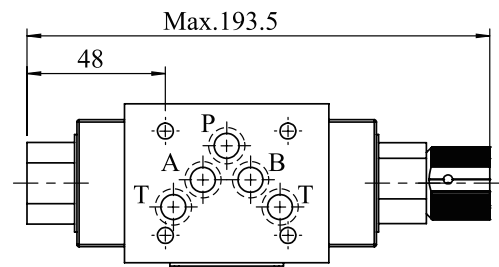
MSW-03, MSA-03



MSB-01



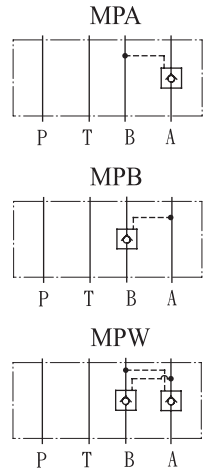
MSB-03



疊加型液控單向閥

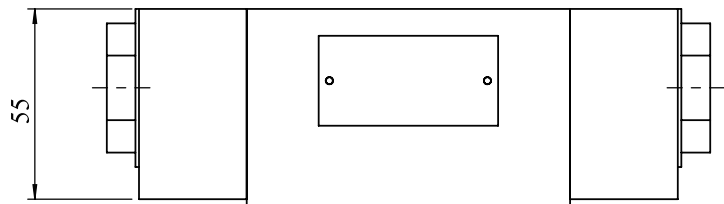
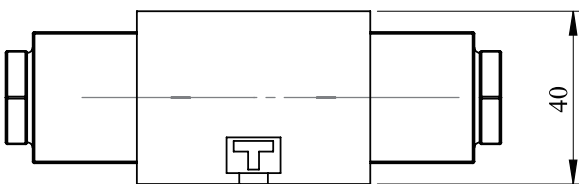
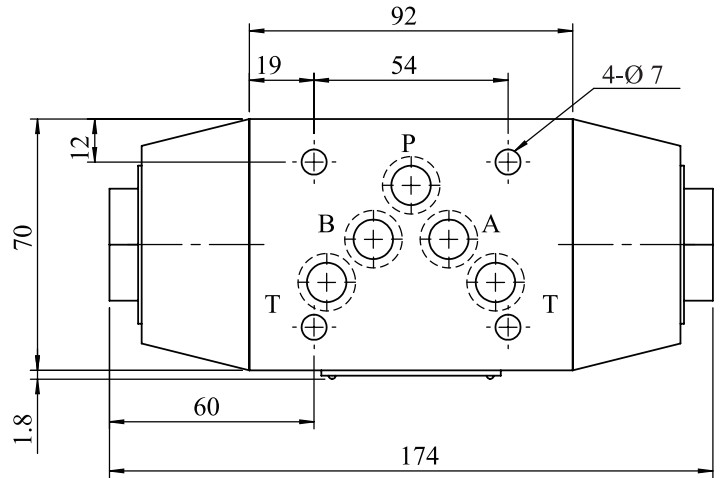
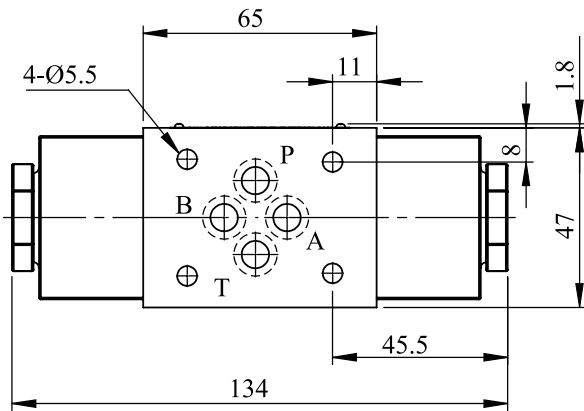
Modular Pilot Operated Check Valves

MP	W	-01	-2		
系列號 Series	控制位置 Control Port	公稱通徑 Valve Size	開啟壓力 Checking Pressure (MPa)	最大流量 Max. Flow (L/min)	最大壓力 Max. Pressure (MPa)
MP	A (A Port) B (B Port) W (A&B Port)	01	2 : 0.2	35	31.5
		03	4 : 0.4	70	25



MPA-01/ MPB-01/ MPW-01-*

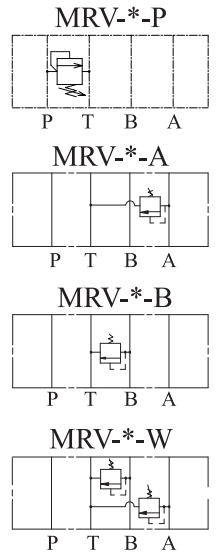
MPA-03/ MPB-03/ MPW-03-*



疊加型溢流閥

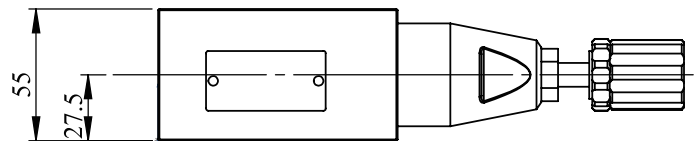
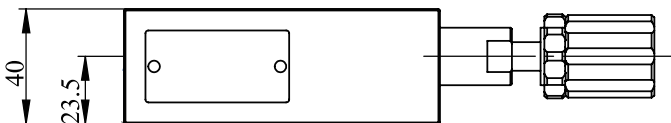
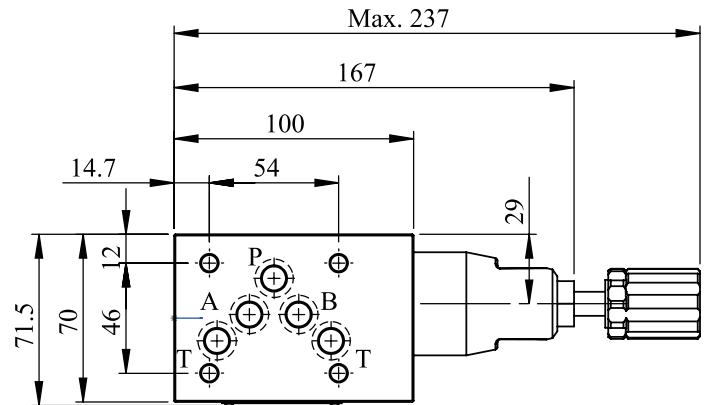
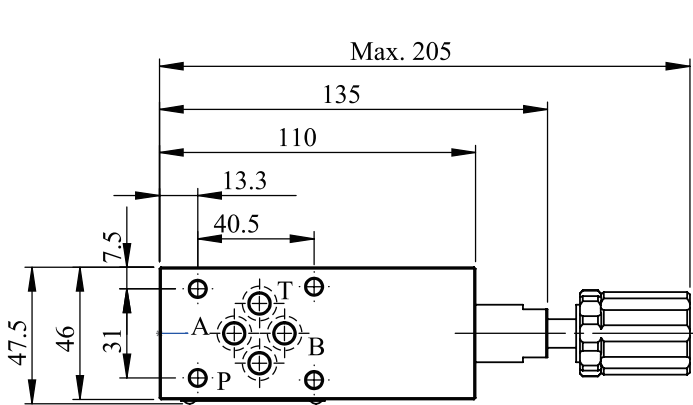
Modular Relief Valves

MRV	-02	-P	-1				
系列號 Series	公稱通徑 Valve Size	控制位置 Control Port	壓力調節範圍 Pressure Adj. Range (MPa)	額訂流量 Rate Flow (L/min)	最大壓力 Max. Pressure (MPa)	重量 Weight(Kg)	
MRV	02	P (P Port) A (A Port) B (B Port) W (A&B Port)	1: 0.8~7 2: 0.7~16 3: 3.5~25	40	25	P.A.B	W
						1.5	2.3
	03			P.A.B		W	
				3.4		3.9	



MRV-02-P-*

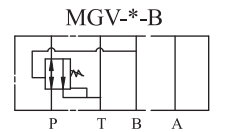
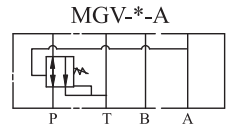
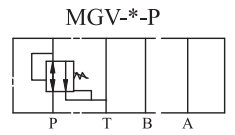
MRV-03-P-*



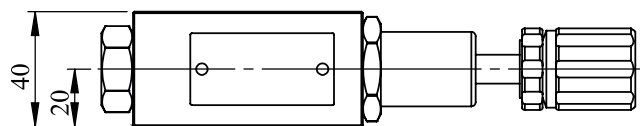
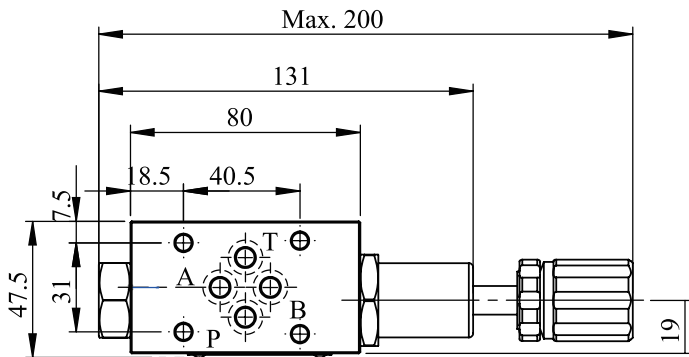
疊加型減壓閥

Modular Reducing Valves

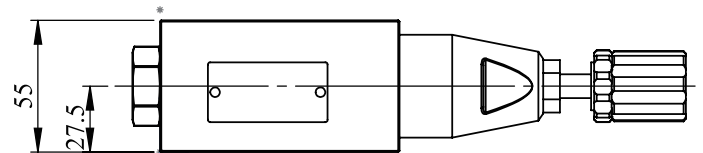
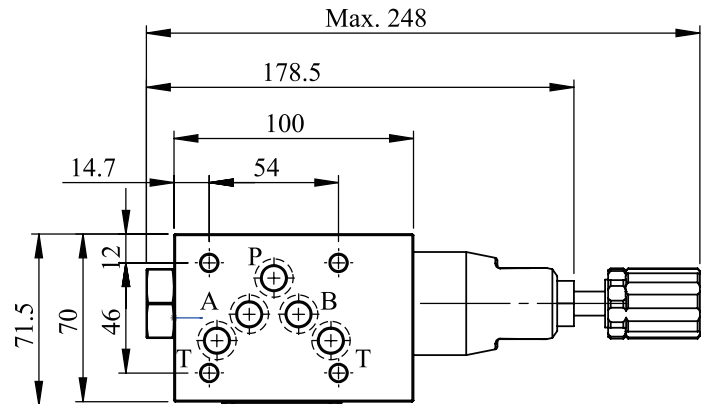
MGV	-02	-P	-1			
系列號 Series	公稱通徑 Valve Size	控制位置 Control Port	壓力調節範圍 Pressure Adj. Range (MPa)	額訂流量 Rate Flow (L/min)	最大壓力 Max. Pressure (MPa)	重量 Weight(Kg)
MGV	02	P (P Port) A (A Port) B (B Port)	0: 0.15~3.5 1: 0.8~7 2: 3.5~1.4 3: 7~21	40	25	1.3
	03			60		3.4



MGV-02



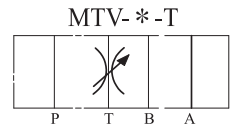
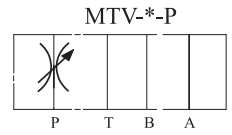
MGV-03



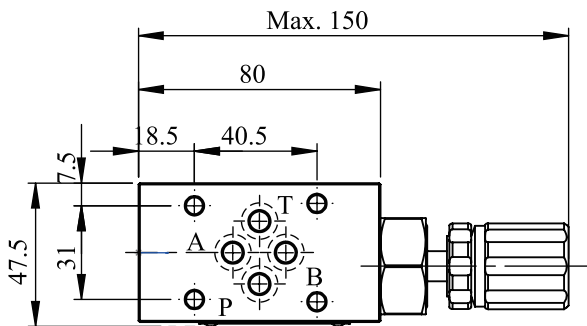
疊加型節流閥

Modular Flow Control Valves

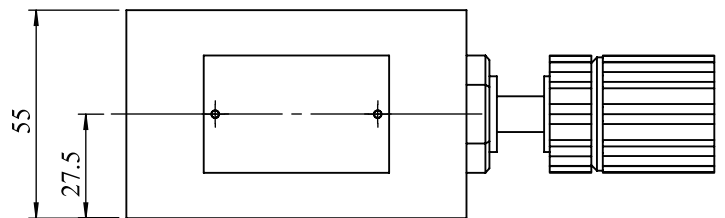
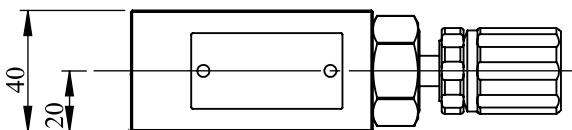
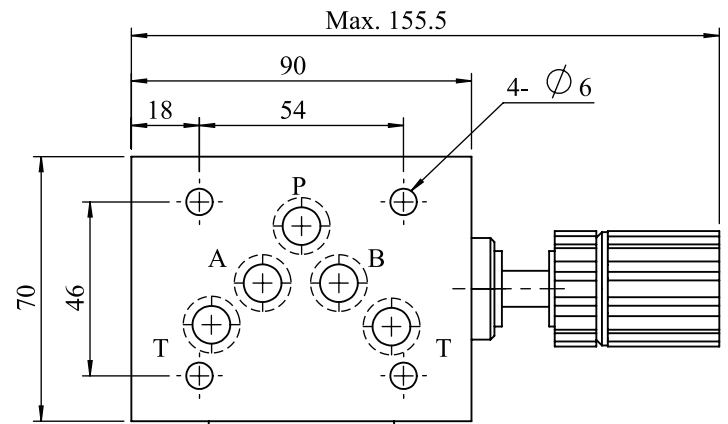
MTV	-02	-P			
系列號 Series	公稱通徑 Valve Size	控制位置 Control Port	額訂流量 Rate Flow (L/min)	最大壓力 Max.Pressure (MPa)	重量 Weight(Kg)
MTV	02	P (P Port) T (T Port)	40	25	1.0
	03		50		2.5



MTV-02



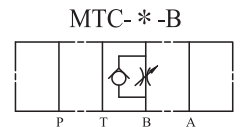
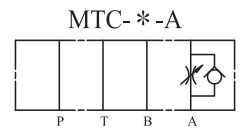
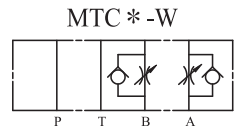
MTV-03-*



疊加型流量閥

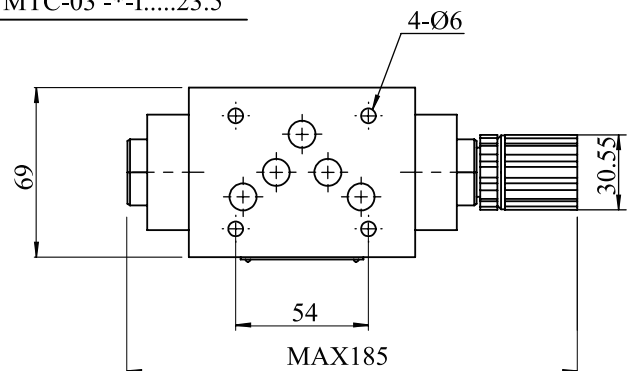
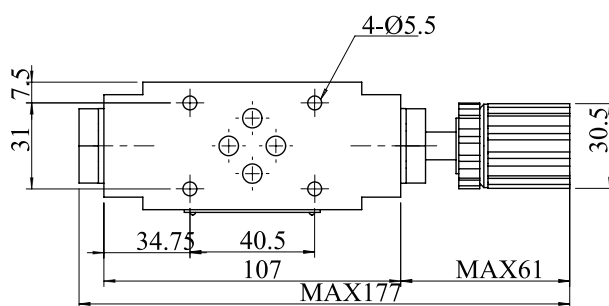
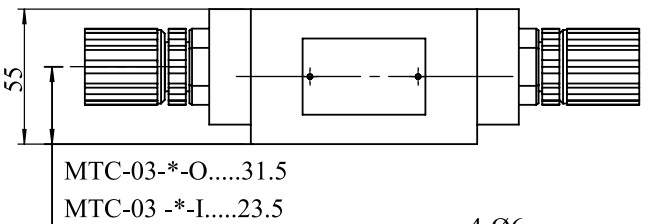
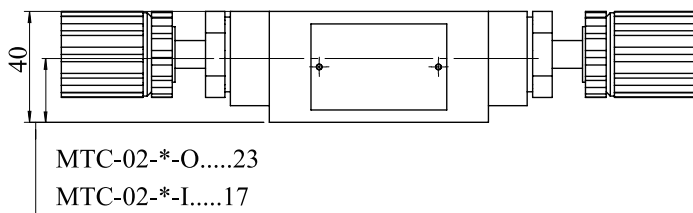
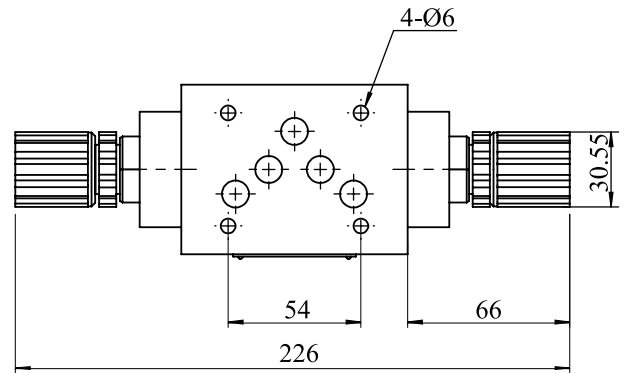
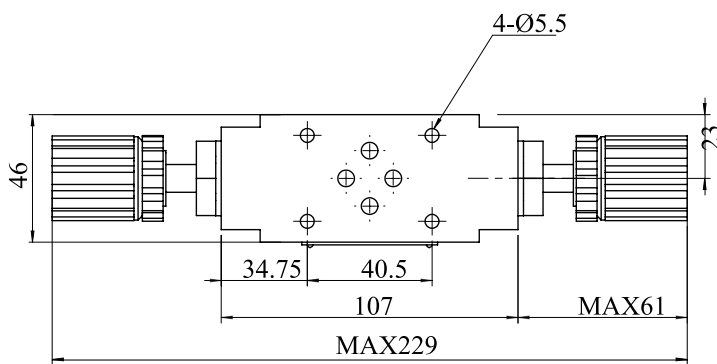
Modular Throttle & Check Valves

MTC	-02	-B	-O				
系列號 Series	公稱通徑 Valve Size	控制位置 Control Port	控制方式 Control Type	額訂流量 Rate Flow (L/min)	最大壓力 Max. Pressure (MPa)	重量 Weight(Kg)	
MTC	02	W (A&B Port) A (A Port) B (B Port)	O: 出油控制 Meter-out I: 入油控制 Metre-in	40	25	A.B	W
						1.1	1.3
	03			A.B		W	
				2.6		2.8	



MTC-02-W-0

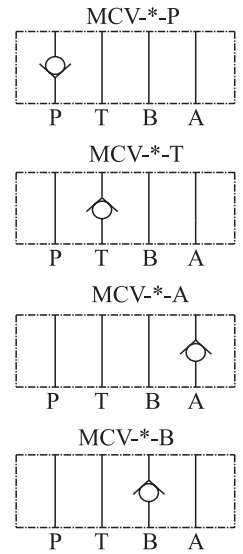
MTC-03-W-0



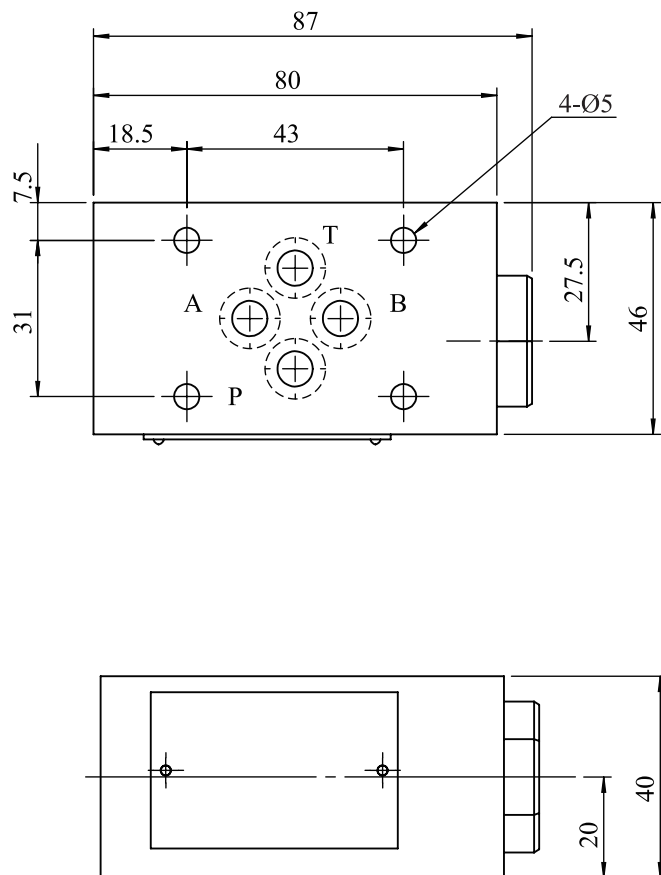
疊加型單向閥

Modular Check Valves

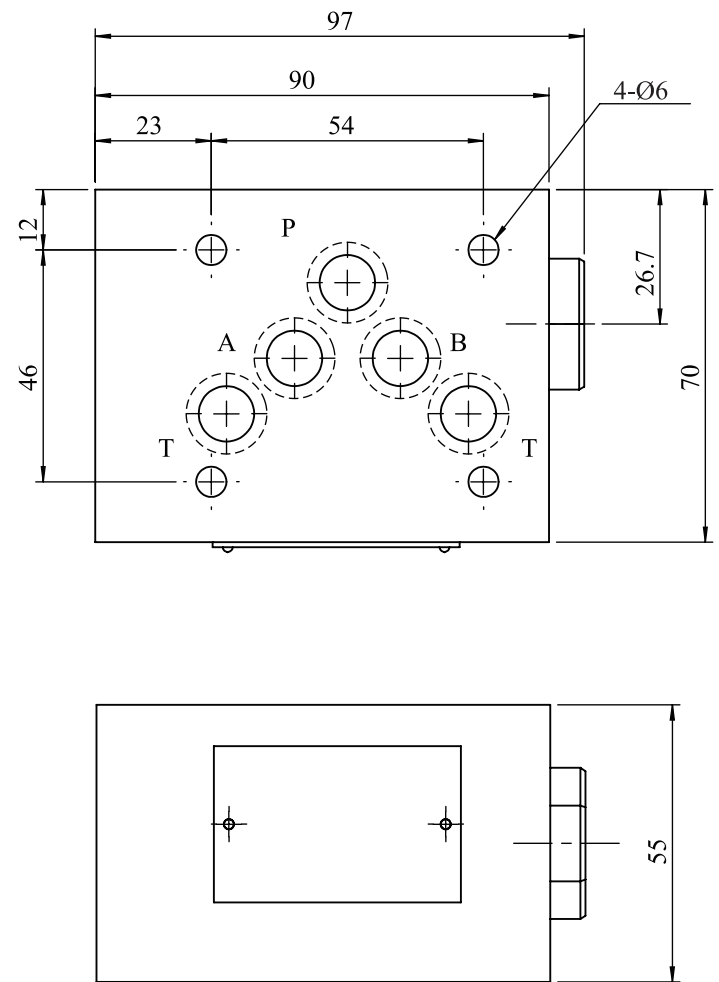
MCV	-02	-P	-1			
系列號 Series	公稱通徑 Valve Size	控制位置 Control Port	開啟壓力 Checking Pressure (MPa)	額訂流量 Rate Flow (L/min)	最大壓力 Max. Pressure (MPa)	重量 Weight(Kg)
MCV	02	P (P Port) A (A Port) B (B Port) T (T Port)	1: 0.04 2: 0.35 3: 0.5	40	25	0.97
	03			60		2.7



MCV-02-P-1



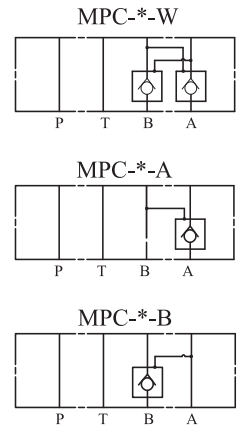
MCV-03-P-3



疊加型液控單向閥

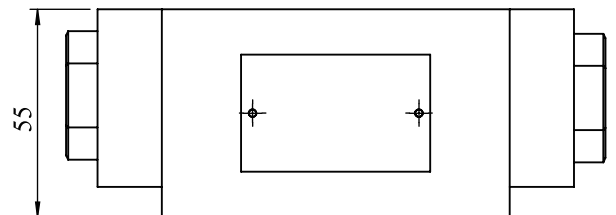
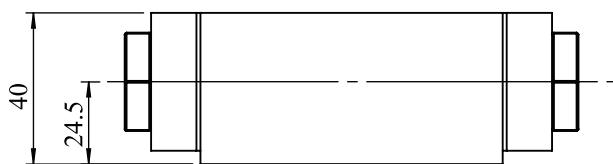
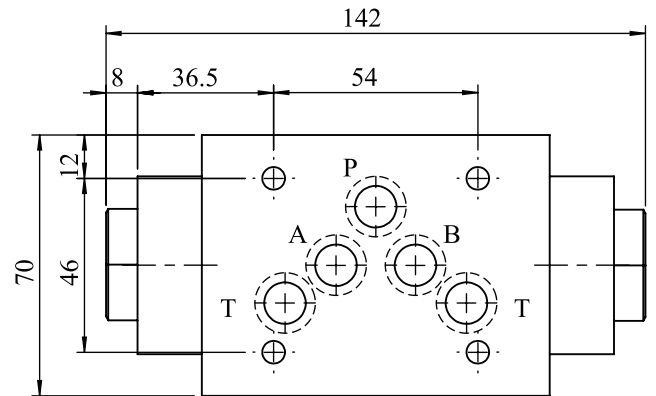
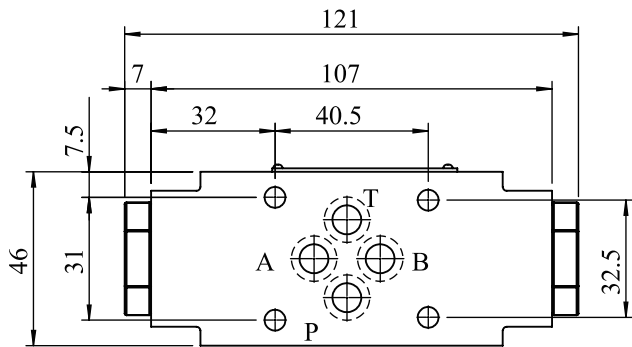
Modular Pilsie Operated Valves

MPC	-02	-A	-1			
系列號 Series	公稱通徑 Valve Size	控制位置 Control Port	開啟壓力 Checking Pressure (MPa)	額訂流量 Rate Flow (L/min)	最大壓力 Max. Pressure (MPa)	重量 Weight(Kg)
MPC	02	W (A&B Port) A (A Port) B (B Port)	1: 0.2 2: 0.5	40	25	1.2
	03			60		3.6



MPC-02-*

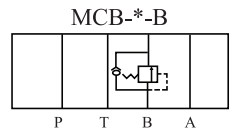
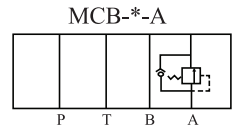
MPC-03-*



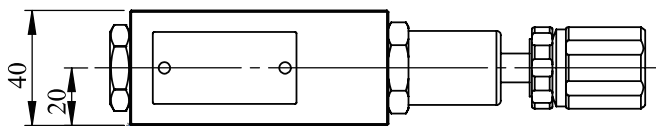
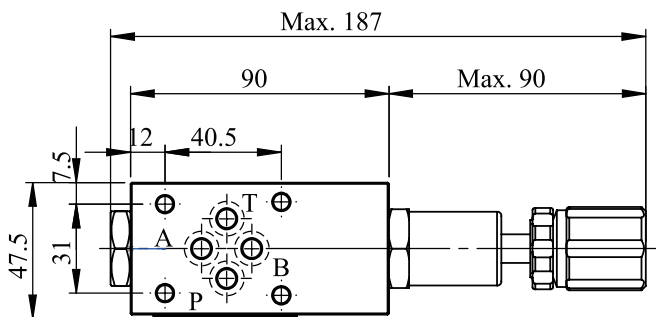
疊加型抗衡閥

Modular Counterbalance Valves

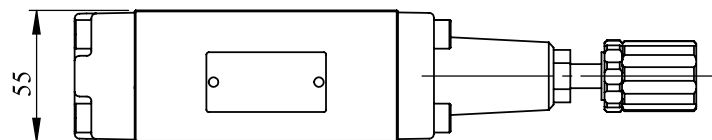
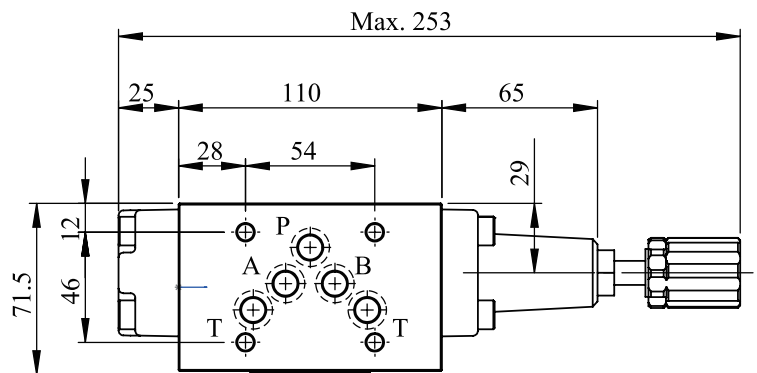
MCB	-02	-B	-1			
系列號 Series	公稱通徑 Valve Size	控制位置 Control Port	壓力調節範圍 Pressure Adj. Range (MPa)	最大流量 Max Flow (L/min)	最大壓力 Max. Pressure (MPa)	重量 Weight(Kg)
MCB	02	A (A Port) B (B Port)	1: 0.8~7 2: 3.5~14 3: 7~21	35	25	1.5
	03			70		4.1



MCB-02

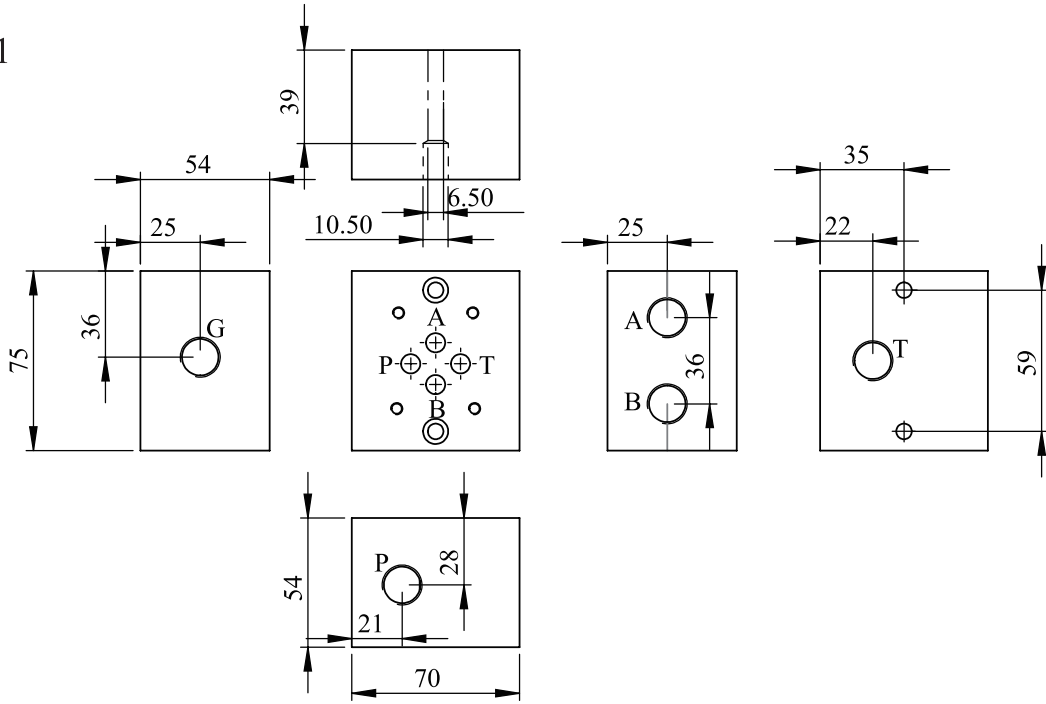


MCB-03

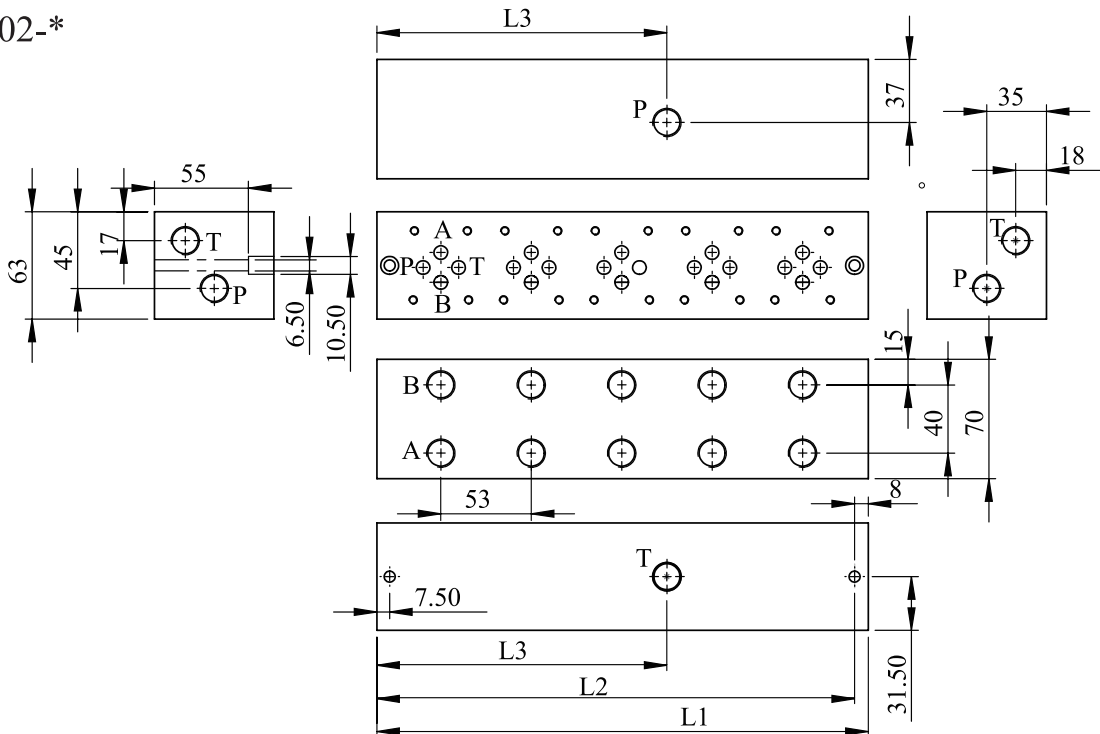


油路板 02 Series Manifold

MSP-02-1



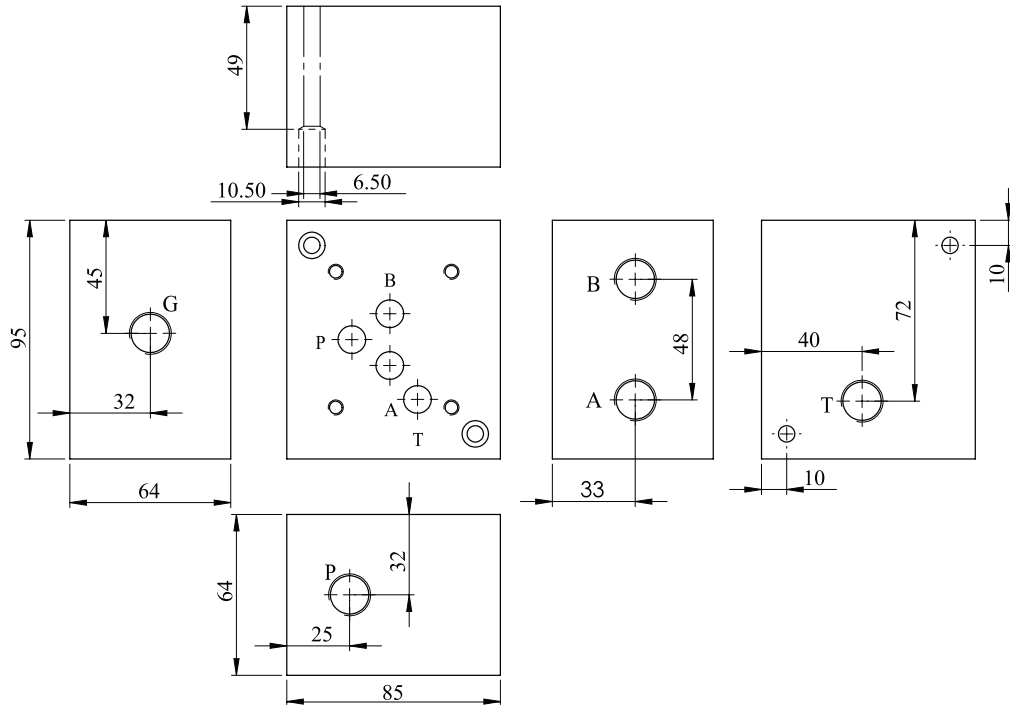
MSP-02-*



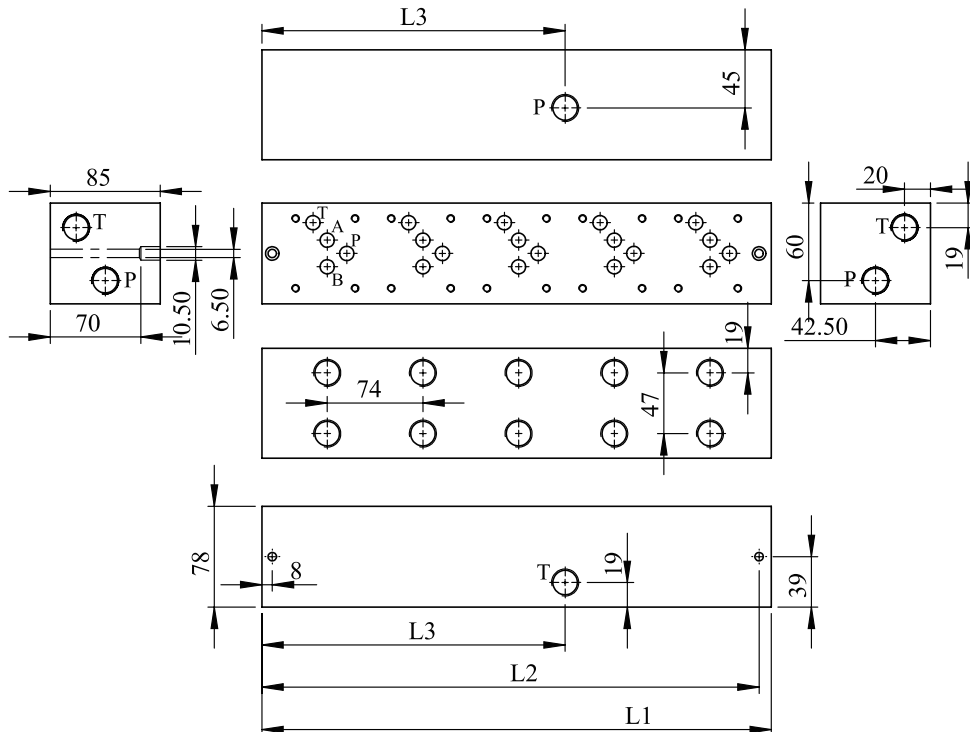
MODEL	L1	L2	L3	WEIGHT (KGS)	PORT SIZE
MSP-02-2	129	121	64	3.7	3/8" PT
MSP-02-3	182	174	17	5.7	
MSP-02-4	235	227	117	7.6	
MSP-02-5	288	280	170	9.5	
MSP-02-6	341	333	170	11.4	
MSP-02-7	394	386	2223	13.3	
MSP-02-8	447	439	223	15.2	
MSP-02-9	500	492	276	17.1	
MSP-02-10	553	545	276	19	

油路板 03 Series Manifold

MSP-03-1



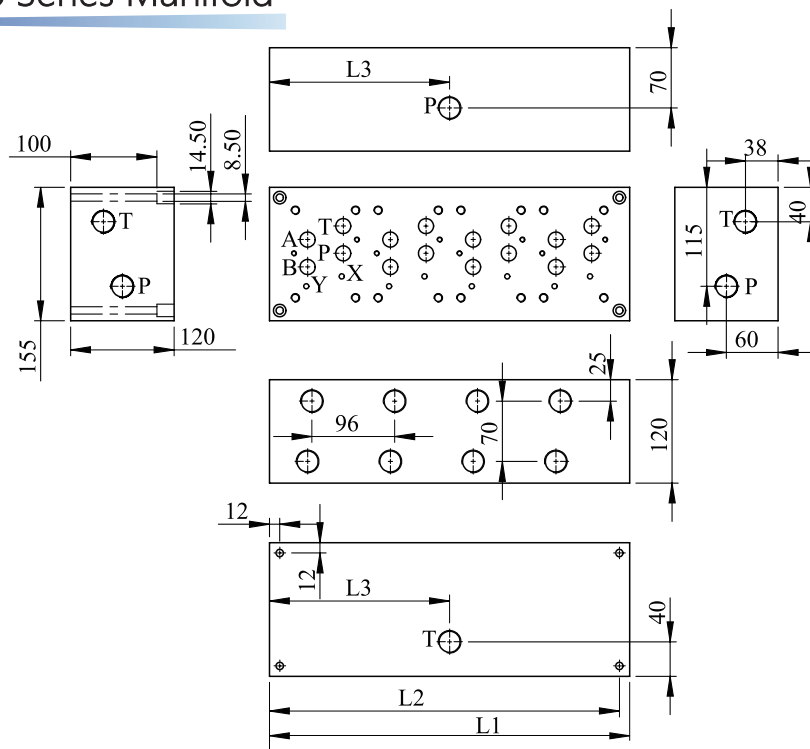
MSP-03-*



MODEL	L1	L2	L3	WEIGHT (KGS)	PORT SIZE
MSP-03-2	172	162.5	86.5	6.8	1/2" PT
MSP-03-3	246	236.5	160.5	10.2	
MSP-03-4	320	310.5	160.5	13.6	
MSP-03-5	394	384.5	234.5	17	
MSP-03-6	468	458.5	234.5	20.4	
MSP-03-7	542	532.5	308.5	23.8	
MSP-03-8	616	606.5	308.5	27.2	
MSP-03-9	690	680.5	382.5	30.6	
MSP-03-10	764	754.5	382.5	34	

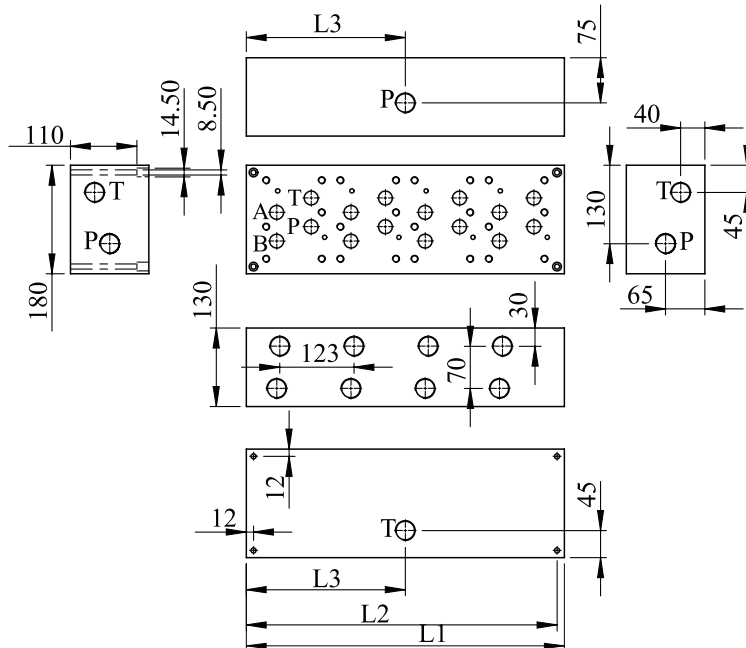
油路板 04 / 06 Series Manifold

MSP-04-*

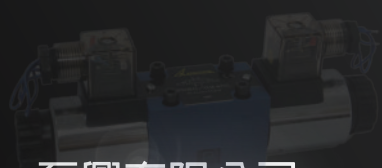


MODEL	L1	L2	L3	WEIGHT (KGS)	PORT SIZE
MSP-04-1	130	118	86	15	3/4" PT
MSP-04-2	226	214	113	24	
MSP-04-3	322	310	209	34	
MSP-04-4	418	406	209	43	
MSP-04-5	514	502	305	53	
MSP-04-6	610	598	305	63	
MSP-04-7	706	694	401	72	
MSP-04-8	802	790	401	83	

MSP-06-*



MODEL	L1	L2	L3	WEIGHT (KGS)	PORT SIZE
MSP-06-1	158	146	102	27	1" PT
MSP-06-2	281	269	140.5	39	
MSP-06-3	404	392	263.5	56	
MSP-06-4	527	515	263.5	72	
MSP-06-5	650	638	386.5	88	
MSP-06-6	773	761	386.5	105	
MSP-06-7	896	884	509.5	121	
MSP-06-8	1019	1007	509.5	138	



磊興有限公司
REXPOWER HYDRAULIC & PNEUMATIC CO., LTD.

新北市淡水區中正東路二段27-10號7樓

TEL: 02- 2808- 5136 FAX: 2808- 6006

E-MAIL: sales@rexpowers.com

工廠: TEL·FAX: 02- 2626- 6852

<https://www.rexpowers.com/>

