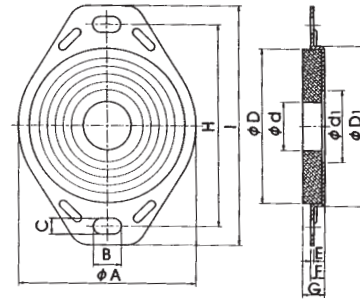
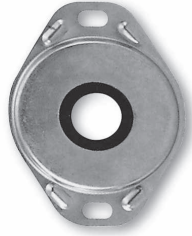


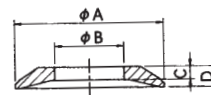
HYDRAULIC ACCESSARY

TANK FLANGE FOR SUCTION FILTER



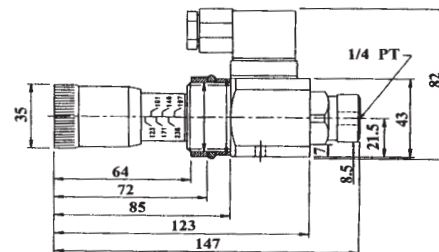
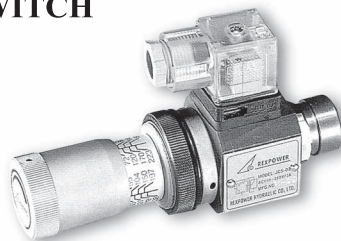
Model	ϕA mm	B mm	C mm	ϕD mm	$\phi D1$ mm	ϕd mm	$\phi d1$ mm	E mm	F mm	G mm	H mm	I mm
PL-04	89	14	8	78.5	81.7	18.5	36.5	1.6	7	11	102	121
PL-06						24.5						

DUST SEAL FOR PIPING



Model	Dia inch	A mm	B mm	C mm	D mm	Usage
CN-02	1/4"	23	6	3	5	Tube
CN-03	3/8"	25	9			
CN-04	1/2"	38	12			
ST-03	3/8"	42	16	5	7	Pipe
ST-04	1/2"	45	21			
ST-06	3/4"	56	26			
ST-08	1"	64	33			
ST-10	1 1/4"	76	42			
ST-12	1 1/2"	85	47			
ST-16	2"	110	60			
ST-20	2 1/2"	127	74		6	
ST-24	3"	139	87			

PRESSURE SWITCH



Model	Working pressure kg/cm ²	Max. pressure kg/cm ²	Weight kg	Current: AC250V,3A Differential pressure: within 5% of Max. pressure
JCS-02N	30~210	210	1	
JCS-02NL	15~60			
JCS-02NLL	5~60	70		