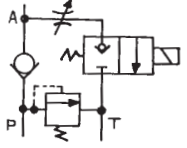
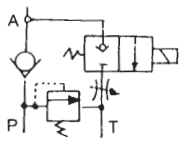
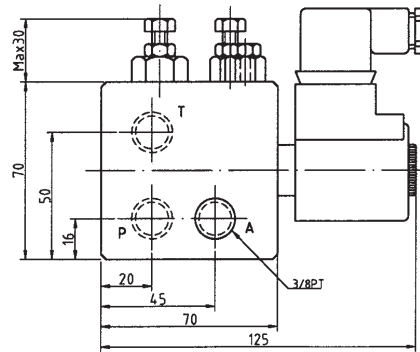
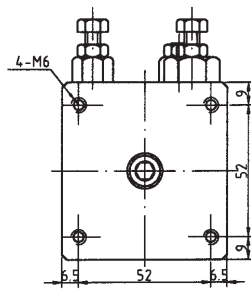
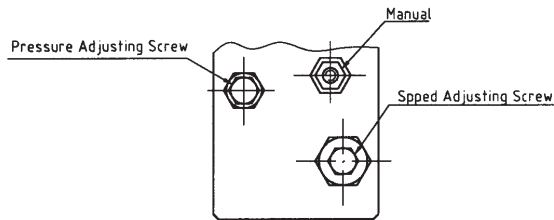


LIFT VALVES

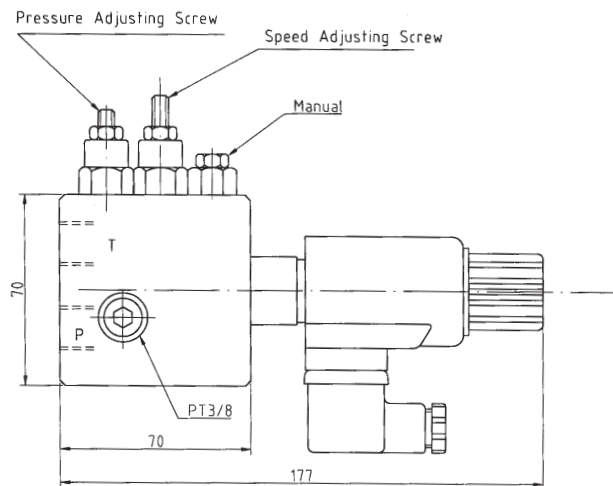
This is a combination valve suitable for the lifters. This valve includes relief valve, check valve, throttle valve and two-way no-leakage solenoid valve.

| Model | Max. Pressure kg/cm ² | Max. flow rate l/min | | Weight kgs | |
|----------|----------------------------------|----------------------|----------------------------------|------------|---|
| LVS-03TR | 210 | 20 | Thread type. Cast iron body | 2.8 |  |
| KVS-03TL | | 20 | Thread type. Aluminum body | 1.3 |  |
| KVS-04TL | | 40 | | 1.6 | |
| KVS-03M | | 20 | Pump outlet mounting. Alum. body | 1.0 | |

LVS-03 TR



KVS-03/04 TL



KVS-03 M

