

# FIXED DISPLACEMENT VANE PUMPS

## PV2R\* SERIES

Maximum pressure : 210 kg/cm<sup>2</sup>

Flow capacity : PV2R1 - 08 : 8.0 l/min

10 : 9.4

12 : 12.2

14 : 13.7

19 : 18.6

23 : 22.7

25 : 25.3

31 : 31.0

PV2R2 - 26 : 25.8 l/min ( at 1000 r.p.m. )

33 : 33.1

41 : 41.3

47 : 47.2

53 : 52.5

59 : 58.2

65 : 64.7

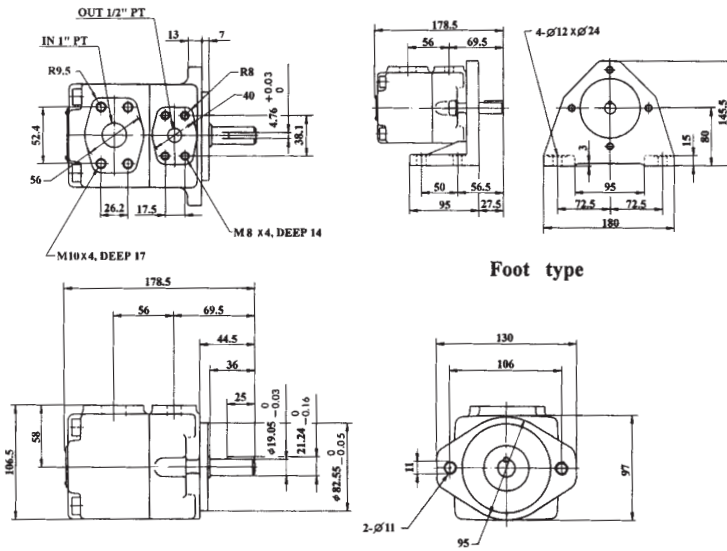
Weight : Foot type PV2R1 : 12.5 kgs.

PV2R2 : 24.5 kgs.

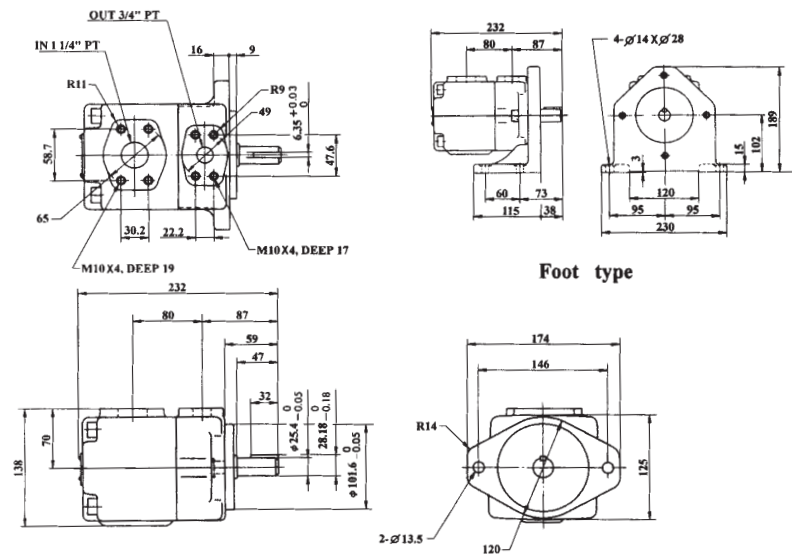
Flange type PV2R1 : 10.0 kgs.

PV2R2 : 19.0 kgs.

### PV2R1

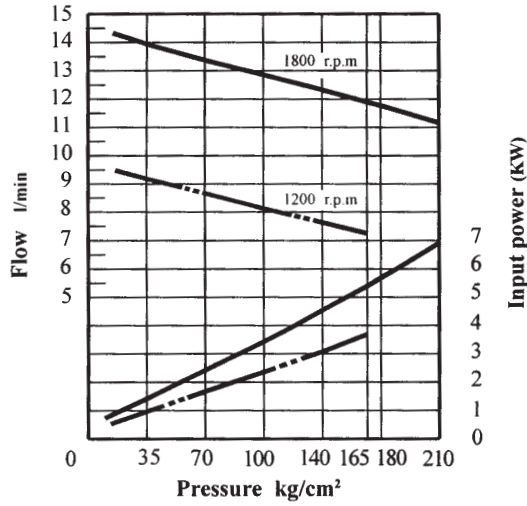


### PV2R2

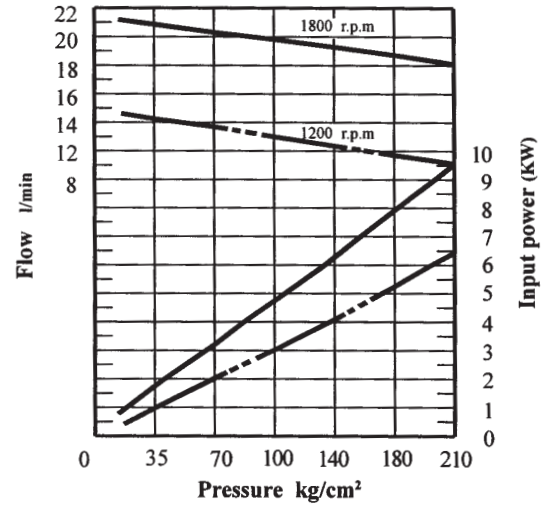


# FIXED DISPLACEMENT VANE PUMPS

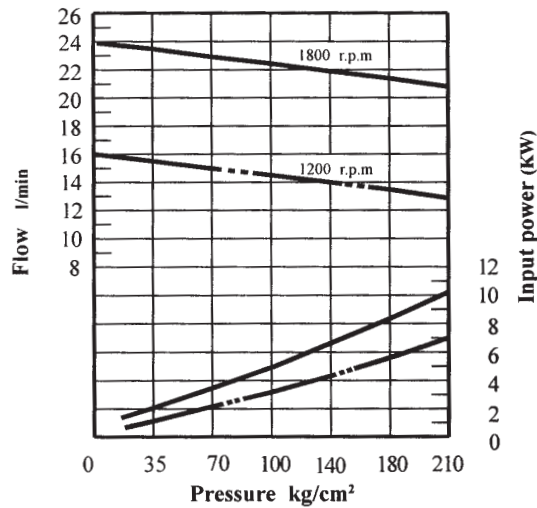
**PV2R1-08**



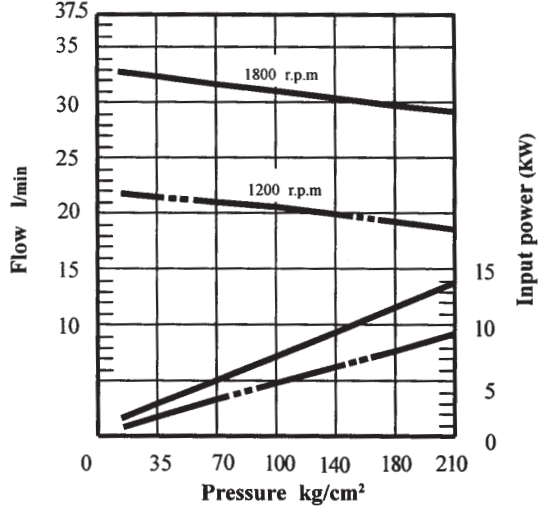
**PV2R1-12**



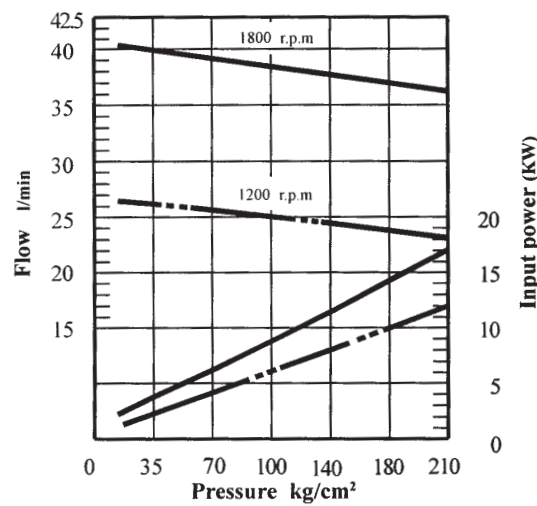
**PV2R1-14**



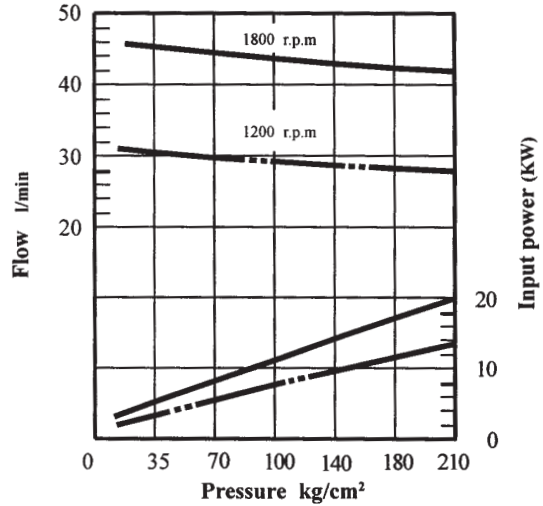
**PV2R1-19**



**PV2R1-23**

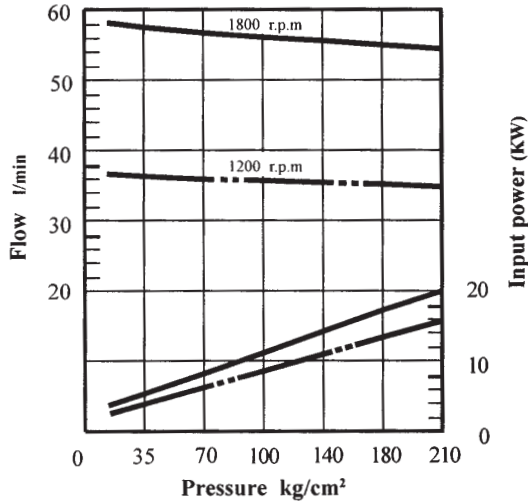


**PV2R2-26**

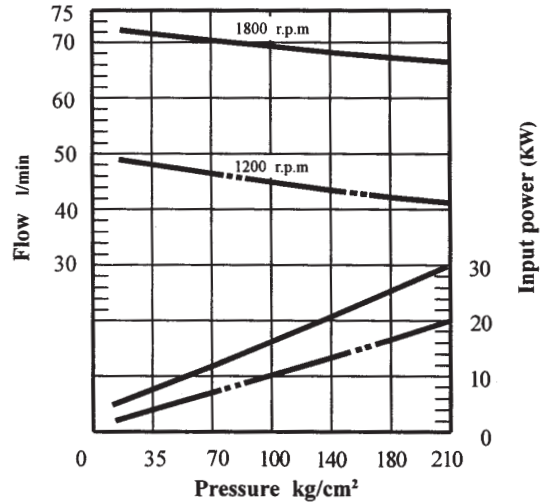


# FIXED DISPLACEMENT VANE PUMPS

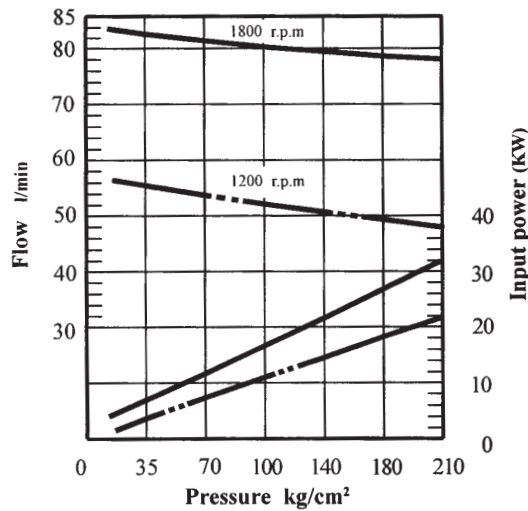
PV2R2-33



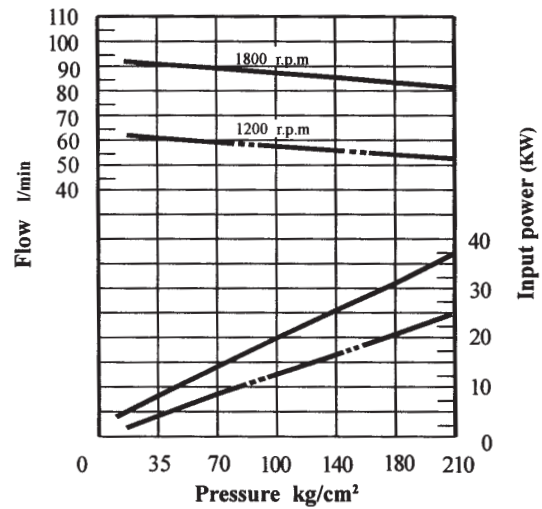
PV2R2-41



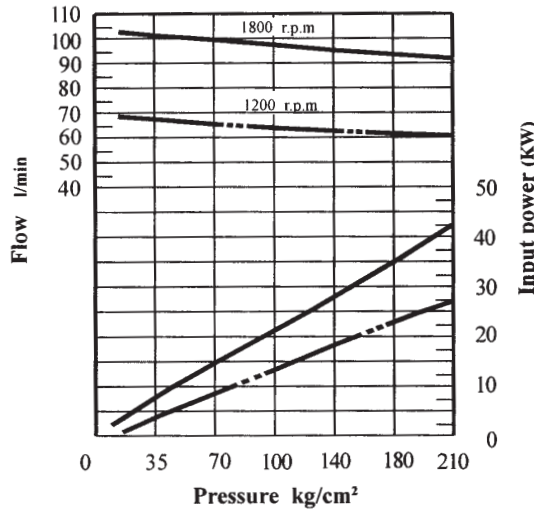
PV2R2-47



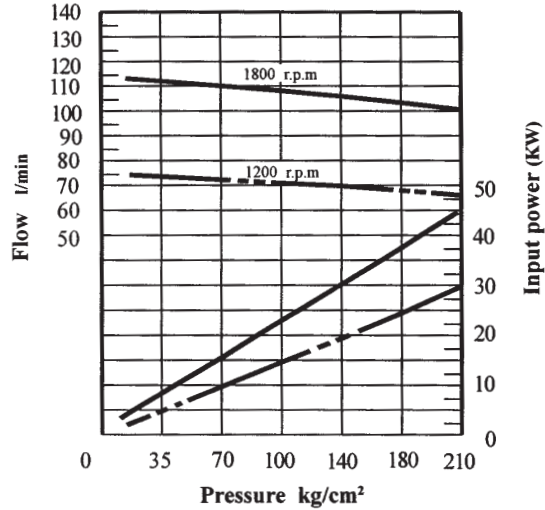
PV2R2-53



PV2R2-59



PV2R2-65



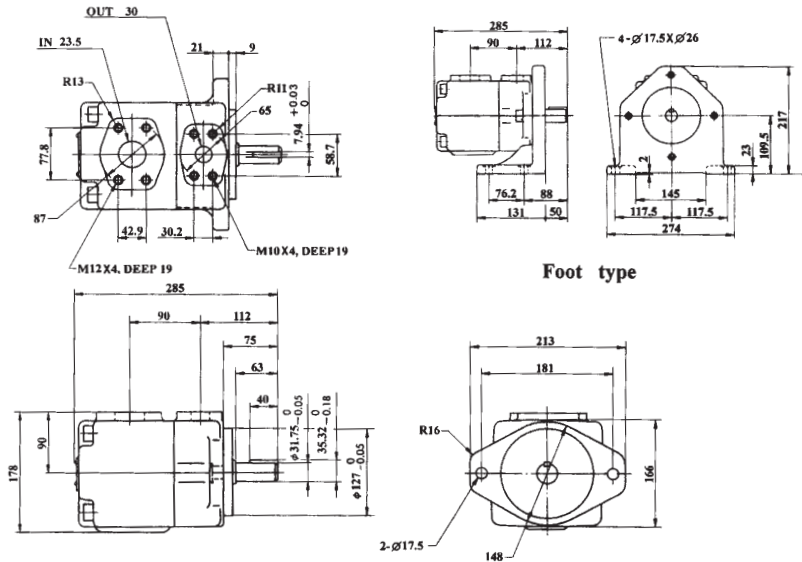
# FIXED DISPLACEMENT VANE PUMPS

## PV2R3 SERIES

Maximum pressure : 210 kg/cm<sup>2</sup>  
 Flow capacity : PV2R3 - 76 : 76.0 l/min ( at 1000 r.p.m. )  
                             94 : 93.6  
                             116 : 115.6

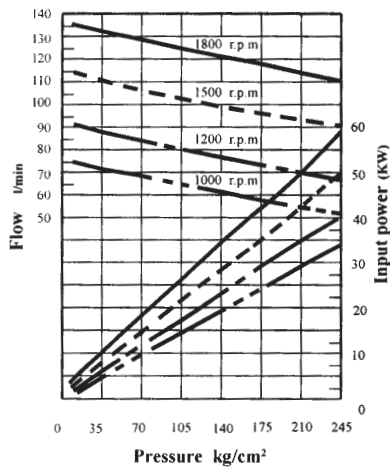
Weight : Foot type    PV2R3 : 46.7 kgs.                      Flange type    PV2R3 : 36.7 kgs.

### PV2R3

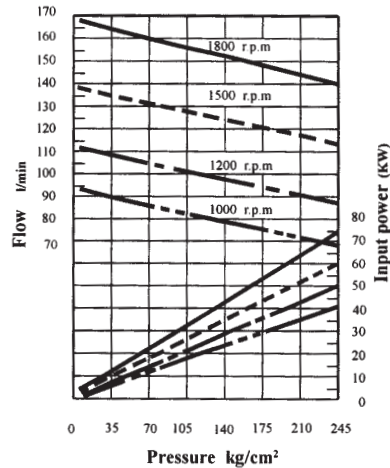


## PERFORMANCE CURVES

### PV2R3-76



### PV2R3-94



### PV2R3-116

