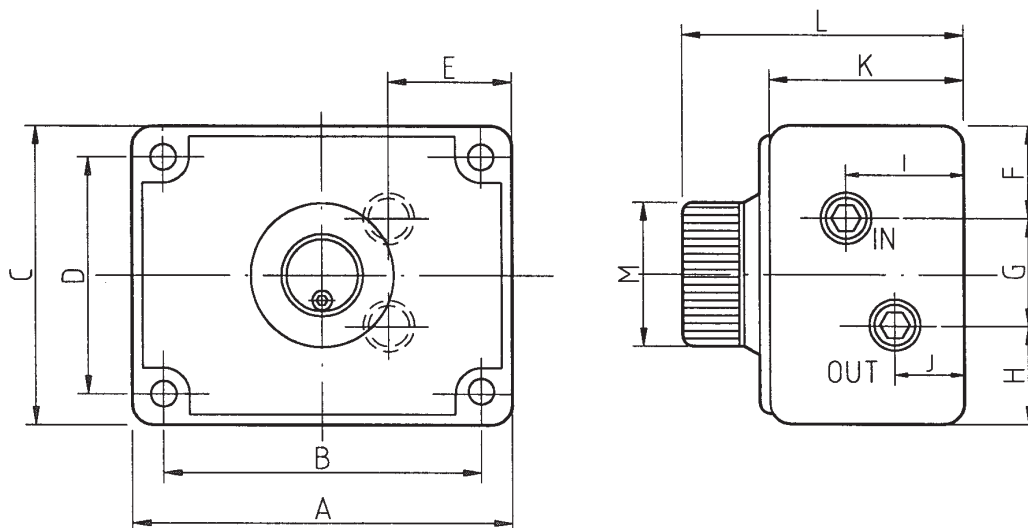


## DECELERATION VALVES

This deceleration valve consist of mechanically or solenoid operated two-way valve and a adjustable orifice with chech valve. This valve allows to a cylinder to be slowed down in mid-stroke where cylinder cushions are not effect.

		Model No.	Free flow l/min	Max. working pressure kg /cm <sup>2</sup>	Adjusting flow l/min	Weight kg
<b>One-way controlled</b>		FNC-G02	20	70	0.01~8	1.2
		FNC-G03	30		0.01~15	2.0
		THF-G06	120	210	0~120	5.0
		THF-G10	240		0~240	8.4
<b>Mechanically</b>	<b>Cam</b>	FKC-G02	20	70	0.01~8	1.3
		FKC-G03	30		0.01~15	2.0
	<b>Roller</b>	FYC-G02	20		0.01~8	1.3
		FYC-G03	30		0.01~15	2.0
<b>Solenoid operated</b>		FSC-G02	20	70	0.01~8	1.6
		FSC-G03	30		0.01~15	2.6
		SF-G06	120	210	0~120	6.4
		SF-G10	240		0~240	9.9
		SDF-G06	120		0~120	6.4
		SDF-G10	240		0~240	9.9
		SFD-G06	120		0~120	6.7
		SFD-G10	240		0~240	10.4
		SKF-G06	120		0~120	7.5
		SKF-G10	240		0~240	11.2
<b>Solenoid modular</b>		MFS-02	30	70	0.01~4	2.3
		MFS-03	50		0.01~8	3.3

### One-way controlled

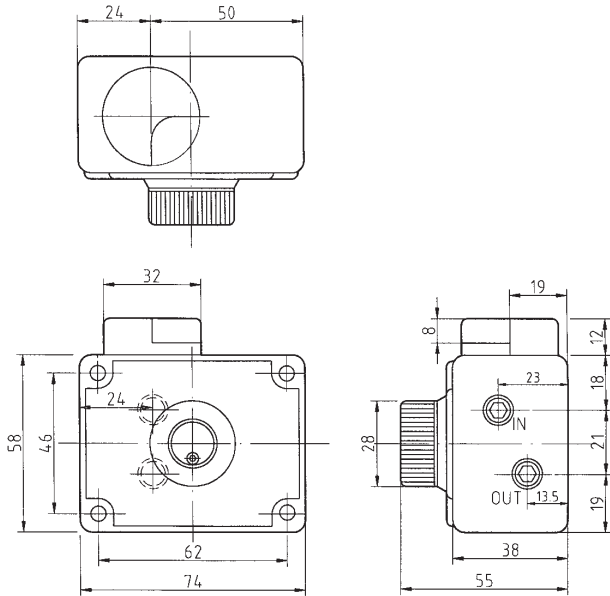


Model	A	B	C	D	E	F	G	H	I	J	K	L	M
FNC-G02	74	62	58	46	24	18	21	19	23	13.5	38	55	28
FNC-G03	90	74	70	54	26	22	26	22	20	17	42	59	36

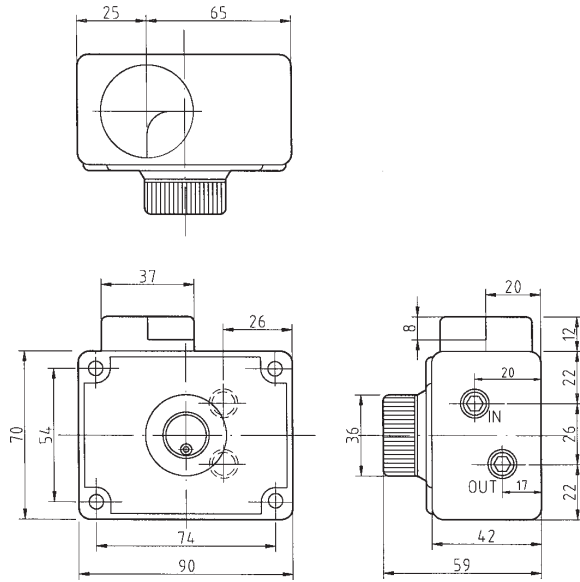
# DECELERATION VALVES

## Cam operated

### FKC-G02

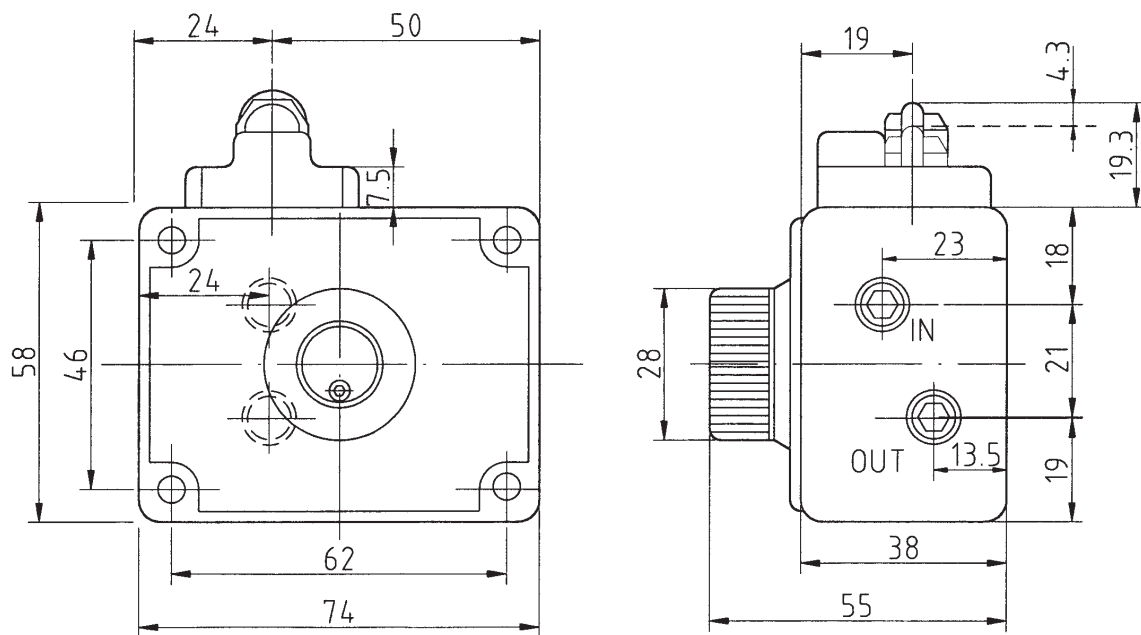


### FKC-G03



## Roller operated

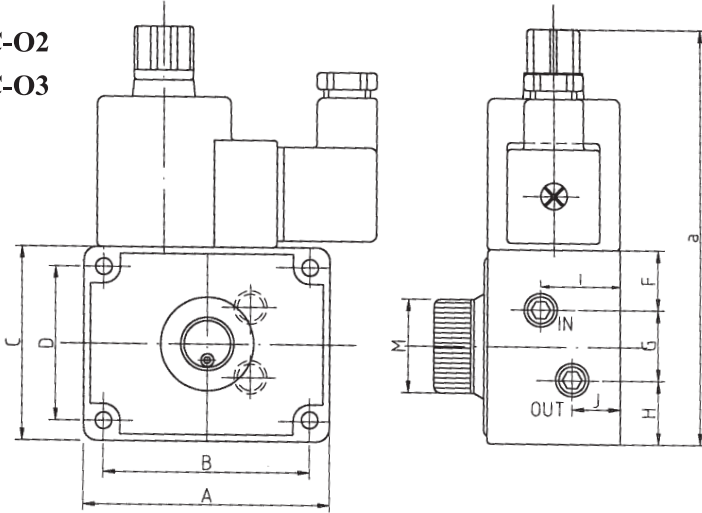
### FYC-G02



# DECELERATION VALVES

## Solenoid operated

FSC-O2  
FSC-O3

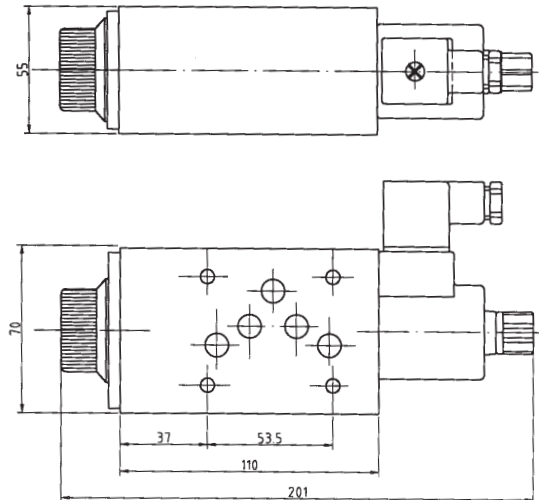
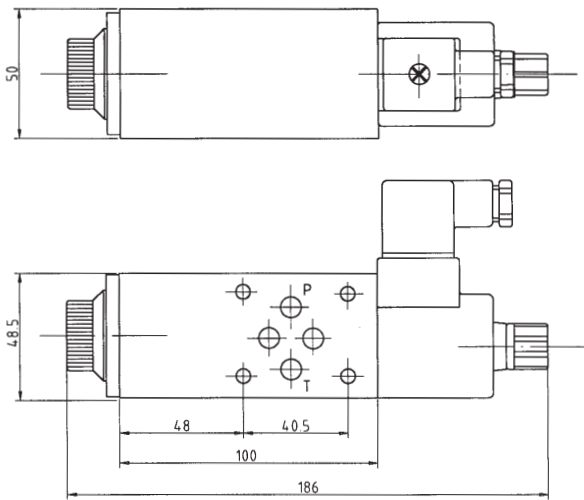


	a	
	AC	DC
FSC-O2	128	135.5
FSC-O3	140	147.5

## Solenoid operated modular type.

MFS-O2

MFS-O3



## ORDERING CODE

FNC ————— G 0 2 ————— \* \* \*

One-way controlled	FNC. THF	Valve size	Voltage for coil
Cam operated	FKC		or
Roller operated	FYC		Controller type of FKC
Solenoid controlled	FSC. SF. SDF		
Solenoid modular	MFS.		