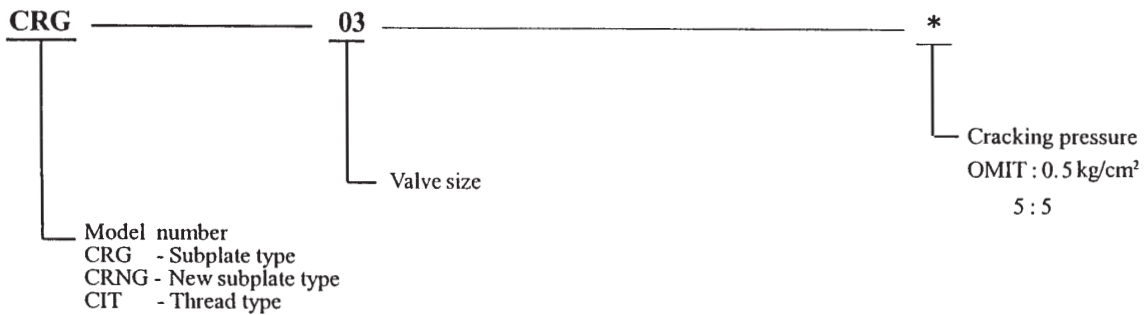


CHECK VALVES

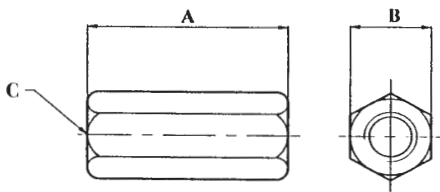
Check valves are used to direct flow in one direction and prevent flow in the other direction.

Model	Subplate type	Thread type	Max. flow		Max. pressure kg/cm ²	Cracking pressure kg/cm ²	Weight	
			l/min				kg	
CHECK VALVE	CRG-03-*	CIT-03-*	40	40	250	OMIT : 0.5 5 : 5	2.3	0.18
	—	CIT-04-*	—	60			—	0.31
	CRG-06-*	CIT-06-*	125	100			4.4	0.48
	—	CIT-08-*	—	150			—	1.07
	CRG-10-*	CIT-10-*	250	200			7.8	1.75
	—	CIT-12-*	—	280			—	2.60
	—	CIT-16-*	—	400			—	3.35

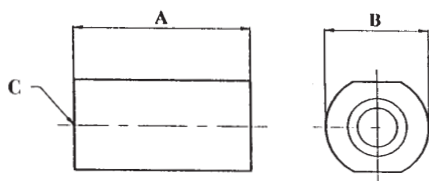
ORDERING CODE



CIT - 03 , 04 , 06 , 08



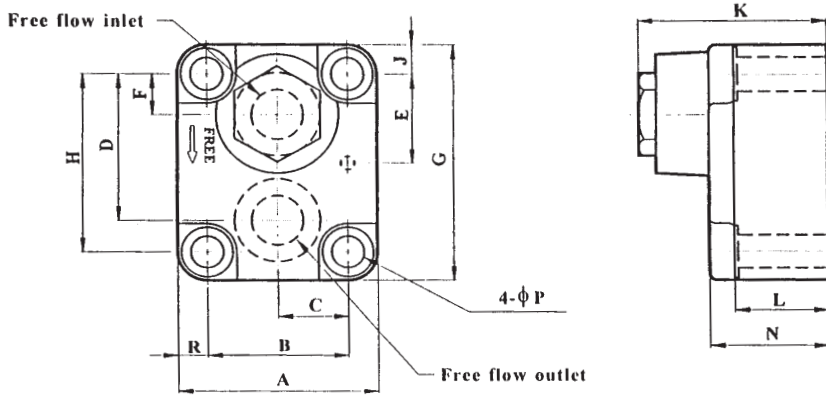
CIT - 10 , 12 , 16



Model	Port (C) PT	A	B	Weight kg
CIT-03	3/8"	70.0	26.0	0.2
CIT-04	1/2"	82.0	29.0	0.4
CIT-06	3/4"	91.5	44.5	0.7
CIT-08	1"	112.0	51.0	1.0
CIT-10	1 1/4"	132.0	58.0	2.1
CIT-12	1 1/2"	140.0	64.0	3.2
CIT-16	2"	156.0	80.0	4.8

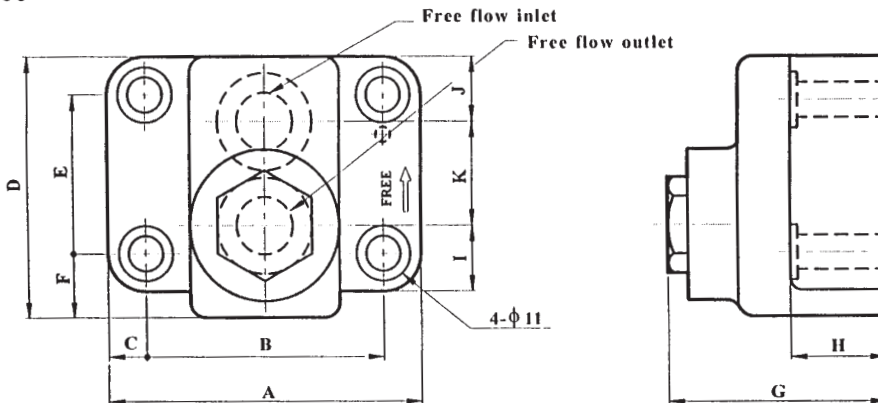
CHECK VALVES

CRG - 03 , 06 , 10 - *



Model	A mm	B mm	C mm	D mm	E mm	F mm	G mm	H mm	J mm	K mm	L mm	N mm	P mm	Q mm	R mm	Mounting bolt
CRG-03	68	47.6	23.8	47.6	30.1	12.7	80	60.3	10.0	70	36	46	11.0	17.5	10.20	4-M10 _H 50L
CRG-06	101	65.2	32.6	68.2	40.5	22.2	114	80.9	16.5	81	38	54	17.5	26.0	16.45	4-M16 _H 55L
CRG-10	130	92.1	46.1	71.4	46.0	20.6	130	92.1	19.0	100	50	67	21.5	30.0	18.95	4-M20 _H 70L

CRNG - 03 , 06 - *



Model	A mm	B mm	C mm	D mm	E mm	F mm	G mm	H mm	I mm	J mm	K mm
CRNG-03	90	66.7	12.5	76	42.9	18.5	70.5	31.5	25.6	21.8	28.6
CRNG-06	106	79.4		96	60.3	23.5	84.0	36.5	34.6	23.3	38.1

CRNG - 10 - *

