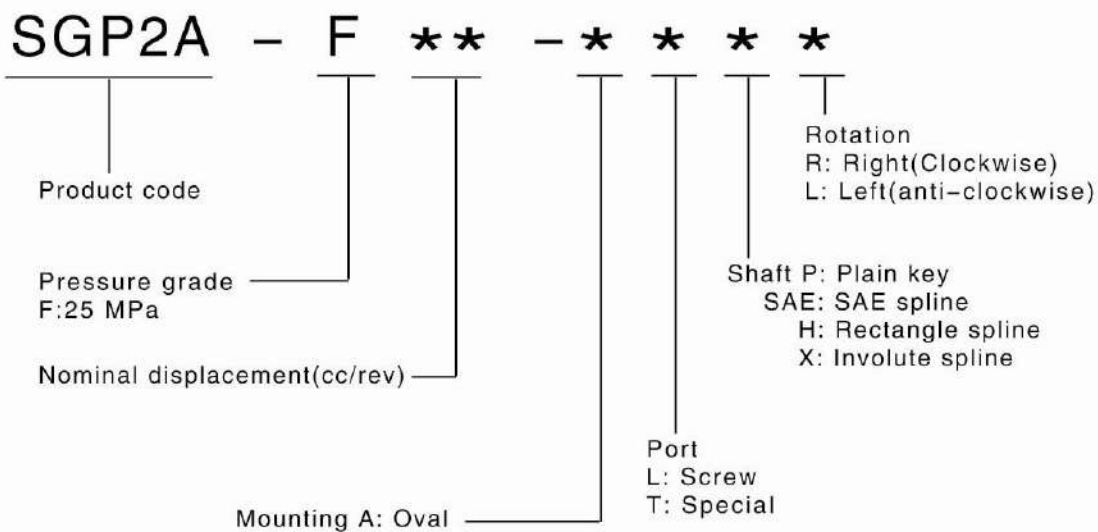
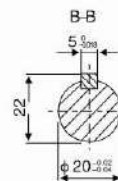
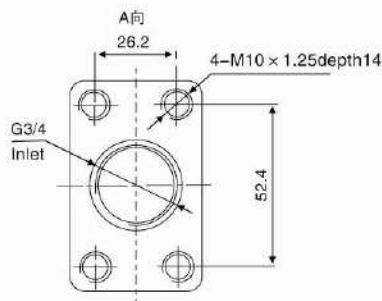
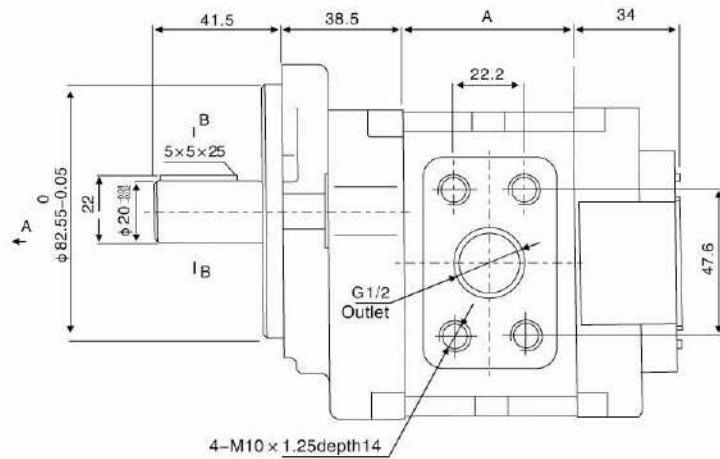
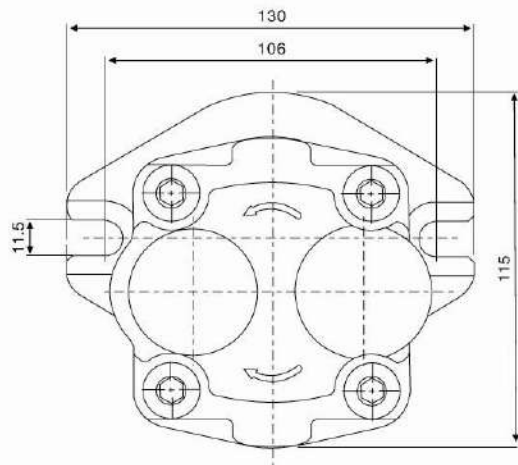
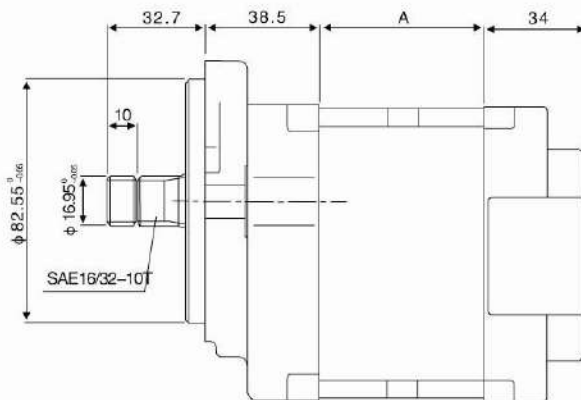
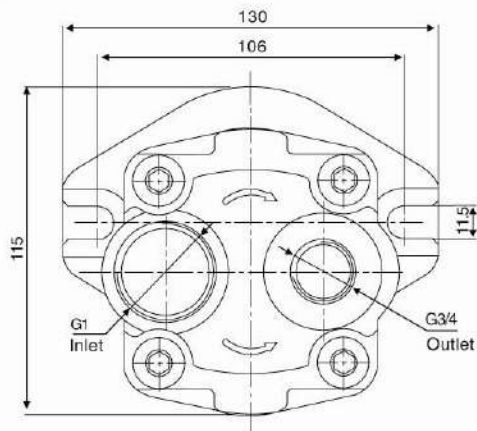


SGP2A-F GEAR PUMP



Model	Displacement cc/rev	Pressure bar (psi)		Speed rpm		Weight kg
		Rate	Max	Max	Min	
SGP2A-F16-****	16	200 (2800)	250 (3500)	3000	600	4.1
SGP2A-F20-****	20					4.3
SGP2A-F25-****	25					4.6
SGP2A-F32-****	32					4.8
SGP2A-F36-****	36					5.0
SGP2A-F40-****	40					5.4

REXPOWER GEAR PUMP



Model	A(mm)
SGP2A-F16-****	35.0
SGP2A-F20-****	40
SGP2A-F25-****	46
SGP2A-F32-****	54.5
SGP2A-F36-****	59.5
SGP2A-F40-****	64.5