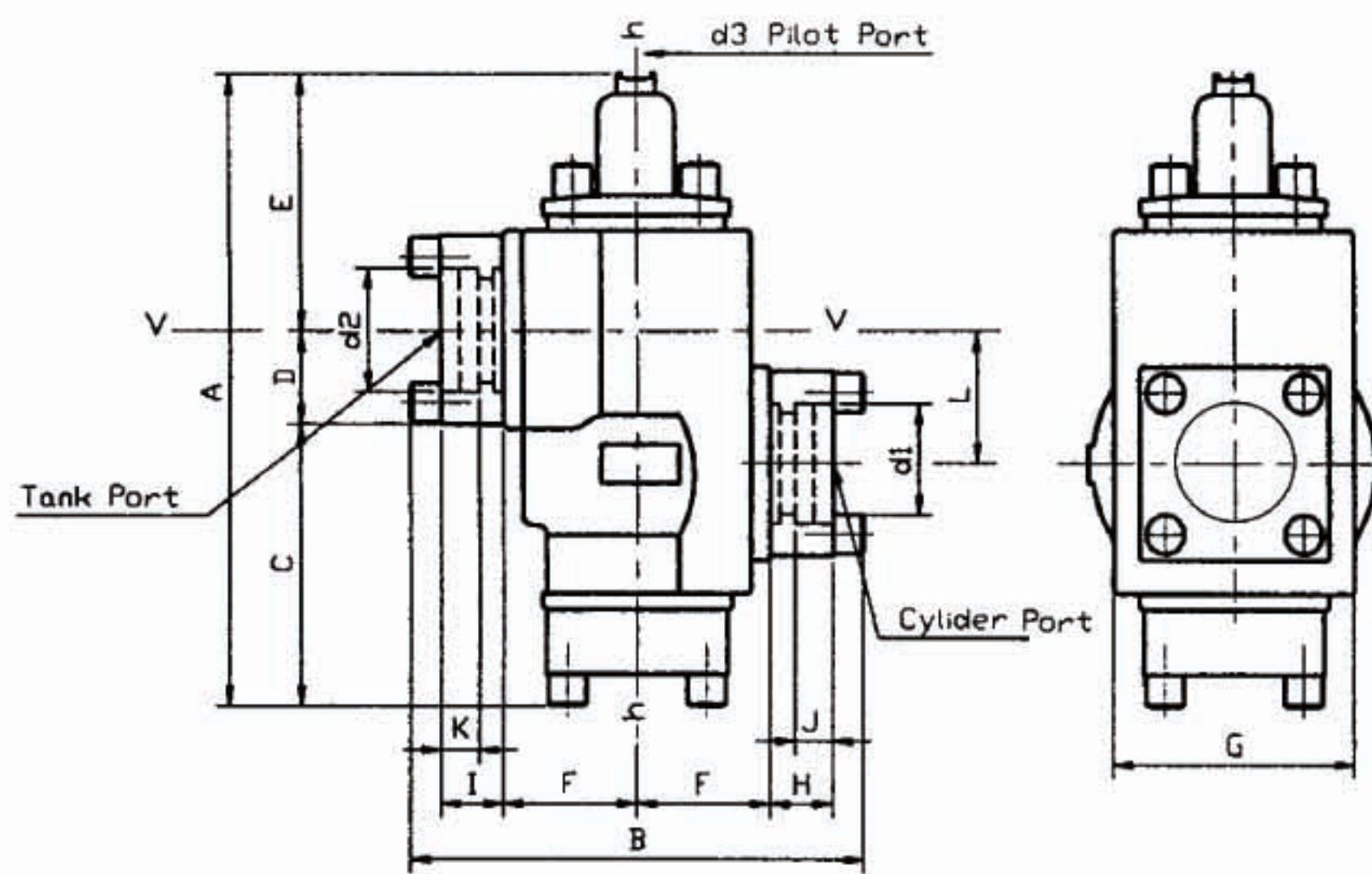


# PREFILL VALVES

Prefill valve is the valve between oil-tank and cylinder, provide big flow rate from tank to cylinder or from cylinder back to tank Non-leakage prevent cylinder oil back when system pressurizing.

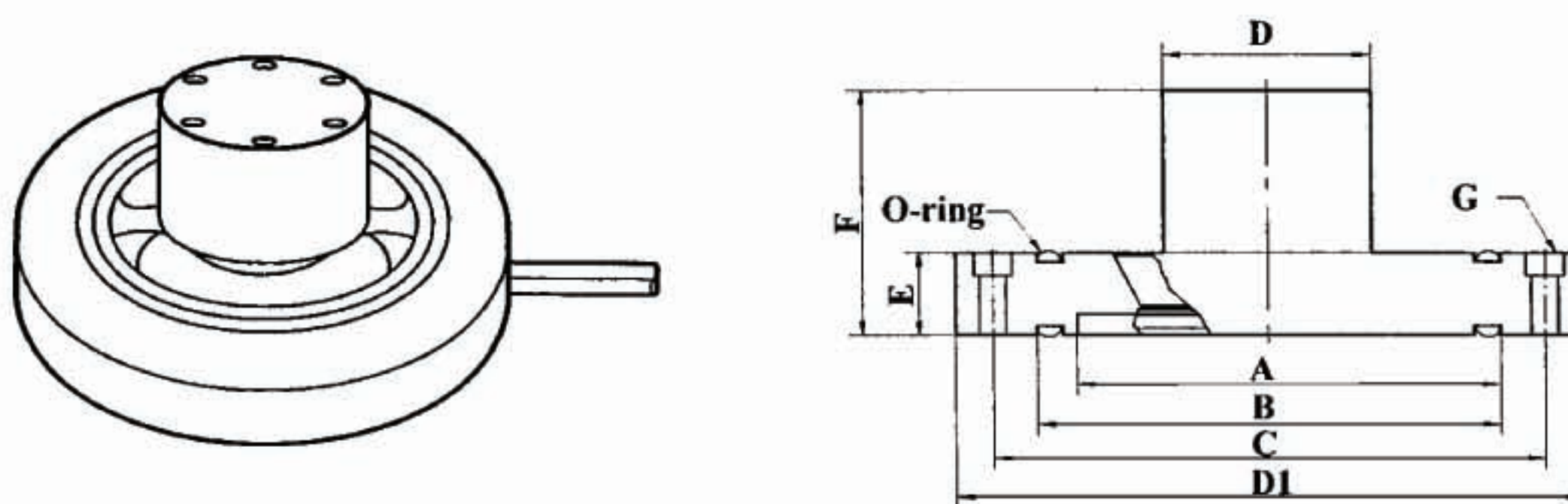
## Thread type

Model No.	Max. Working Pressure kg/cm <sup>2</sup>	Max. Flow l/min		Cracking Pressure kg/cm <sup>2</sup>	Weight kg
		Suction	Pilot		
SG-16	210	300	450	0.12	30
SG-24		600	900	0.14	55
SG-32		1100	1600	0.16	100



Model	A	B	C	D	E	F	G	H	I	J	K	L	d1	d2	d3
SG-16	320	238	136	53	131	70	120	33	33	20	20	50	61	61	PT3/8"
SG-24	394	294	165	64	165	93	170	42	30	22	18	75	92	92	PT3/8"
SG-32	547	350	210	102	235	120	220	42	30	25	18	105	116	116	28

## Disk type



Model		Size	A mm	B mm	C mm	D1 mm	D mm	E mm	F mm	G	Flow l/min	O-Ring	Weight kg
Steel	Ductile iron												
SVF-32	SCF-32	2"	48	63.0	0	82	32	28.0	54.5	0	160	1517-6	1.2
SVF-50	SCF-50	3"	72	90.0	112	128	45	29.0	72.0	φ4x30 x 2P	400	G85	2.9
SVF-63	SCF-63	3 1/2"	87	105.0	125	143	50	33.5	83.5	φ5x35 x 2P	600	P95	4.5
SVF-80	SCF-80	4"	108	130.5	150	169	57	38.5	100.0	φ5x40 x 2P	1000	P120	6.2
SVF-100	SCF-100	5"	130	155.0	185	212	70	44.0	122.0	φ6x45 x 2P	1600	P145	12.3
SVF-125	SCF-125	6"	170	200.0	226	248	89	51.0	155.0	φ6x50 x 2P	2500	P185	23.0
SVF-160		8"	218	250.0	284	310	120	70.0	233.0	φ8x70 x 2P	4000	P235	50.0