

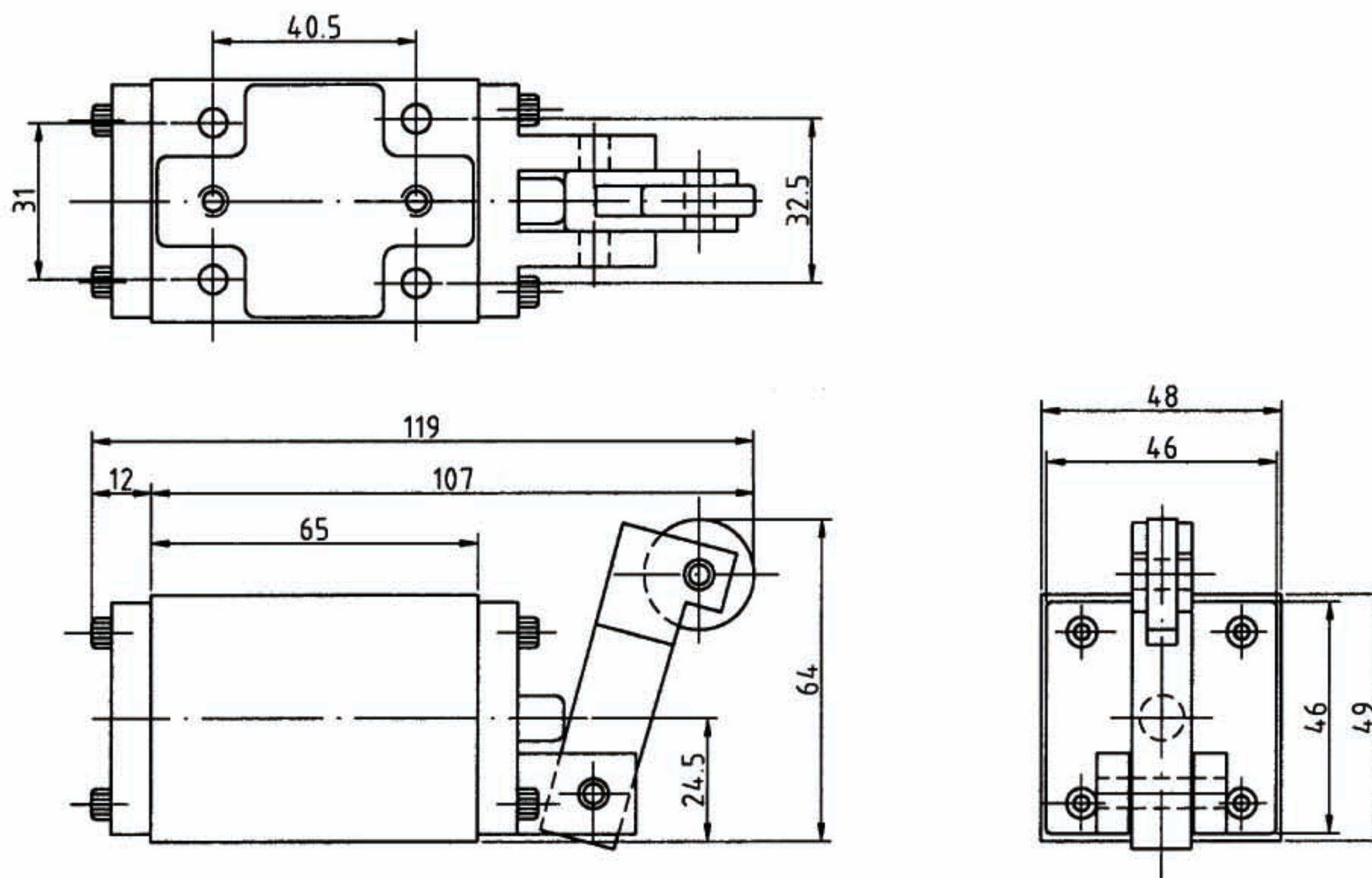
MECHANICALLY OPERATED DIRECTIONAL VALVES

This valve spool Mechanically moved by cams, to change flow direction.

DCG-02-2B*

Subplate type	Spool type	Max. flow rate l/min	Max. pressure kg/cm ²	Max. back pressure kg/cm ²	Weight kg
DCG-02-2B*	2B2 2B3 2B8	30	250	100	1.1

DCG-02-2B*



ROTARY MANUALLY VALVE

DRT-03

